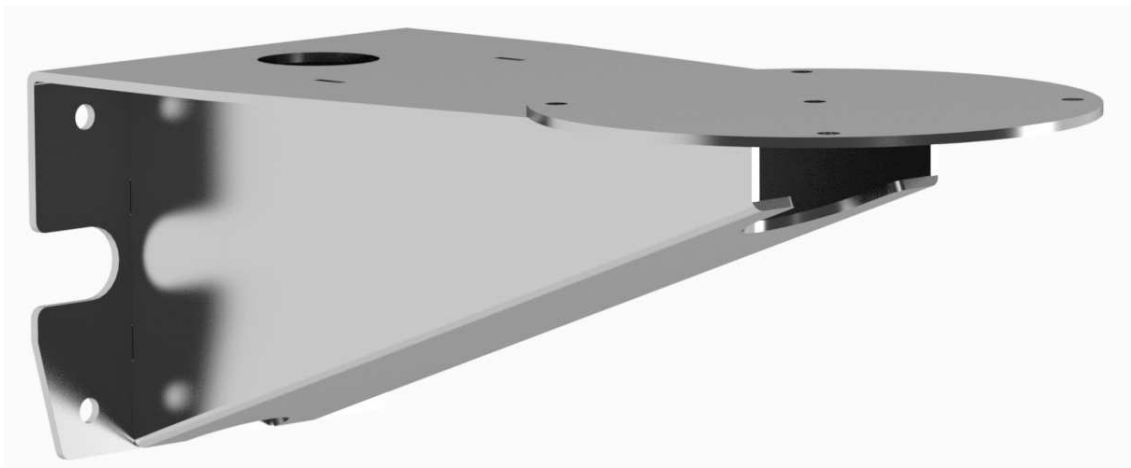


DATASHEET

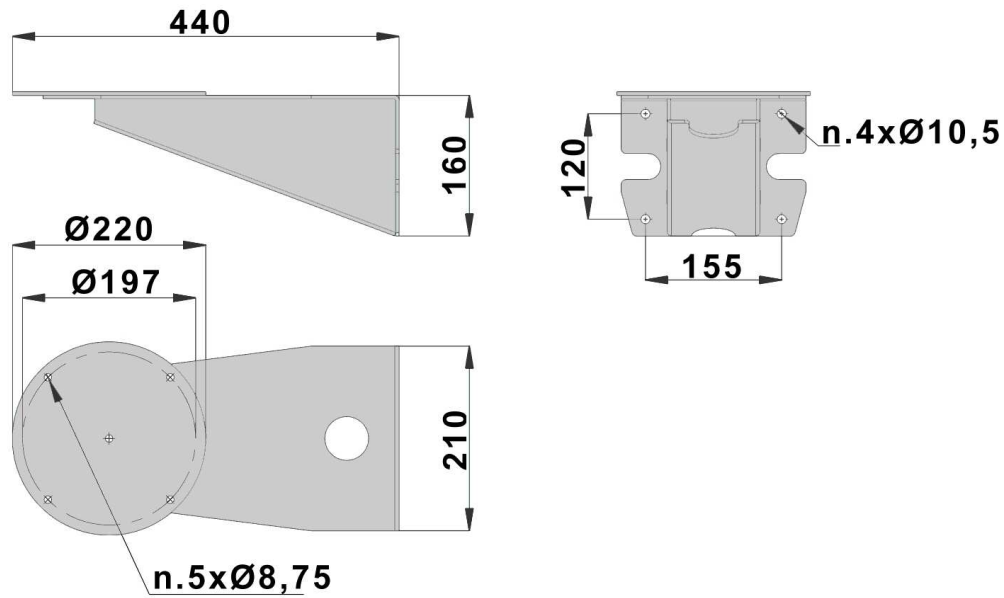
ST 200 wall bracket

- Made of AISI 316L stainless steel
- Length: 440mm
- Stainless steel bolts and screws.
- Max. load: 40 Kg.
- Weight: 7,5Kg.



DATASHEET

TECHNICAL DRAWINGS



the values are in millimeters