



### ST 500

wall bracket for housing



□ **Wall bracket for housing (ST 500)**

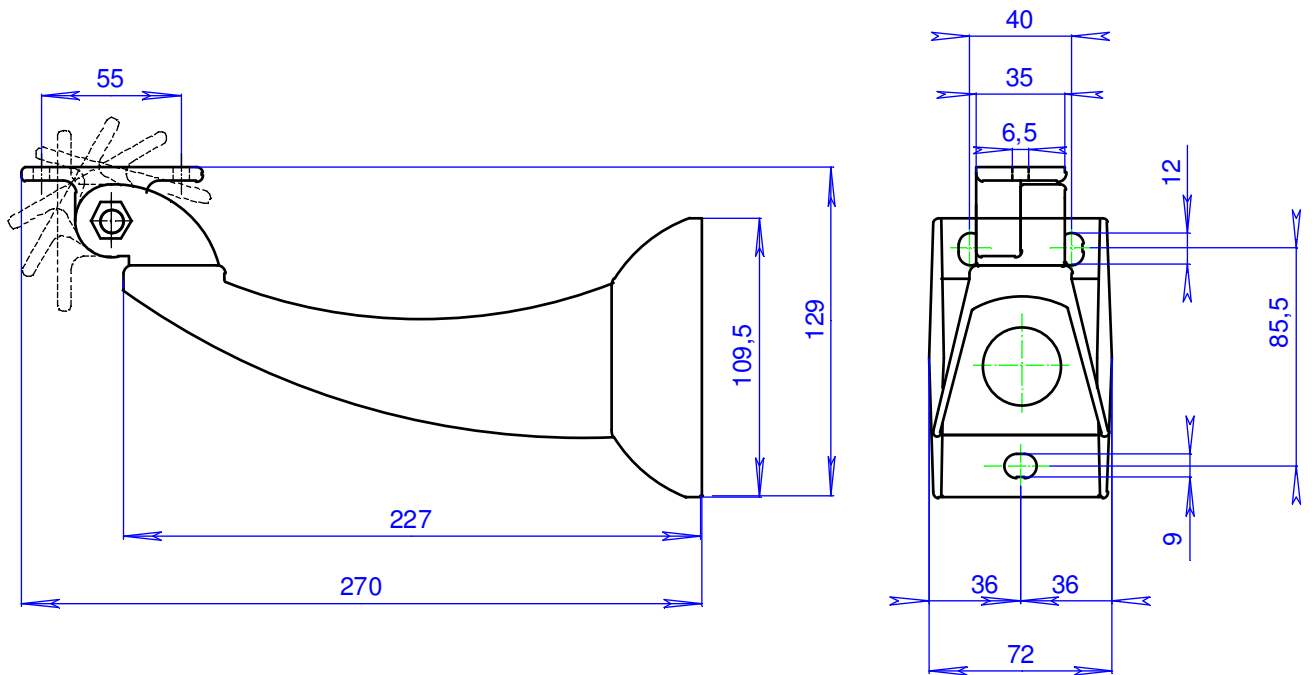
die-cast aluminium painted with polyester powder RAL 7035 (*light grey*)  
length: 227 mm.  
vertical and horizontal orientations: 15° up and 90° down  
Stainless steel screws  
Max loads: 20 kg.  
Vertical movement with self-locking system

**Notes:**

Thanks to polyester powder coating the ST500 bracket offers high resistance to atmospheric agents. Possibility of applying a cable gland into the hole on the back so he can eventually connect the cable passage in the sheath.

# - DATA SHEET -

## wall bracket



the values are in millimeters

### TECHNICAL DATA

#### GENERAL

- die- cast aluminum with polyester powder, RAL 7035 (light gray)
- wide range of adjustment both vertically and horizontally (15° up and 90° down)
- rear hole for the passage of cables
- stainless steel screws
- Max. load 20kg.

Specifications are subject to change without notice, weights and dimensions are indicative

**GLOBAL PROOF S.r.l.**

Via dell'Industria, 10 36013 Piovene Rocchette (VICENZA) ITALY  
Phone +39.0445.396190 Fax +39.0445.395000

[info@globalproof.it](mailto:info@globalproof.it)

[www.globalproof.it](http://www.globalproof.it)

ST 500