



CSX828P

AISI 316L stainless steel pressurized nitrogen

- ✓ stainless steel AISI 316L housing
- ✓ pressurized nitrogen
- ✓ Schrader valve for a fast and easy recharging
- ✓ weatherproof rating IP66
- ✓ slide opening system
- ✓ joint with 3rd axis for easier orientation
- ✓ wall, ceiling, pole, corner mounting
- ✓ easy fastening and positioning
- ✓ wide range of accessories



AISI316L stainless steel pressurized housing

The **CSX828P** is a cylindrical weatherproof housing, entirely made of AISI 316L stainless steel; it is supplied with a **pressurization system** with nitrogen, that eliminates humidity, dust or pollution from the camera and the optics, by maintaining a constant pressure inside the housing.

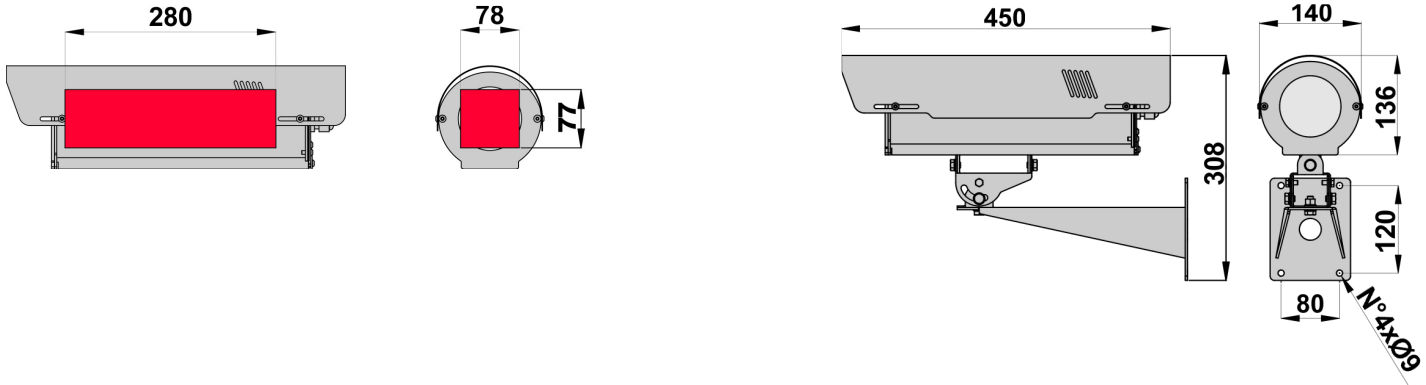
The electropolishing treatment increases the corrosion resistance and makes the housing particularly indicated for installations in marine, industrial and chemical environments. It is supplied with a special joint, realized by Global Proof with an exclusive system that allows the third axis tilt: in this way it is possible to mount the housing also in an arched ceiling or on a wall that is not perpendicular to the ground.

The lightweight of this housing allows to mount it also in small pan-tilt systems.

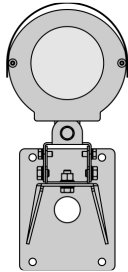
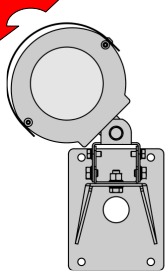
- DATA SHEET -

camera housing

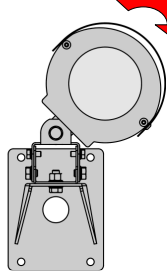
Useful internal length



tilt to the left
-45° max.



tilt to the right
+45° max.



the values are in millimeters

TECHNICAL DATA

GENERAL

- body made in stainless steel AISI 316L
- sunshield in stainless steel AISI 316L with wide range of adjustment
- stainless steel A4 bolts and screws
- wall bracket made in stainless steel AISI 316L
- Schrader valve for a fast and easy recharging
- pressurized nitrogen
- extractable slide-out body
- heater
- wide range of accessories
- supplied with instruction manual
- according to RoHS compliance

ELECTRICAL

- heater 230-110, 24, 12 Vac
consumption max. 30W
t on 15°C t off 22°C +/- 3°C
- internal ventilation continuous cycle
power voltage: 230V-110V, 24V, 12V
consumption max. 1W

MECHANICAL

- usable internal space 78x77mm.(BxH) or Ø 95
- useful length: 280mm
- glass window Ø 75mm.
- weatherproof rating IP66
- indoor/outdoor installations
- operating temperature with heater from -20°C to +60°C
- weight 5 Kg. (KIT version with wall bracket included)

ACCESSORIES

- VI828** internal ventilation continuous cycle (pre-assembled)
- AL828/A** power supply 230/12Vdc 1,3A
- AL828/B** power supply 230/24Vac 500mA
- RD800** double heater for low temperatures until -45°C
- SNF800** adaptor plate for pan mounting

RELATED PRODUCTS

- SP/C** pole adaptor AISI 316L
- SA/C** corner adaptor AISI 316L
- STS800** adaptor plate for ceiling mounting

| code | unit weight (Kg.) | package dimensions (cm.) WxHxL | package weight (Kg.) |
|----------------------------|-------------------|--|----------------------|
| KIT CSX828P + ST800 | 5 (tot.) | 19,0 x 15,0 x 46,0 19,0 x 15,0 x 46,0 | 5,40 (tot.) |

Specifications are subject to change without notice, weights and dimensions are indicative

rev.0615

GLOBAL PROOF S.r.l.

Via dell'Industria, 10 36013 Piovene Rocchette (VICENZA) ITALY
phone +39.0445.396190 fax +39.0445.395000

info@globalproof.it

www.globalproof.it