

# DATASHEET

## CSX900

### AISI 316L big size stainless steel housing

- stainless steel AISI 316L housing
- weatherproof rating IP67
- suitable for big size lenses
- high resistance to aggressive environments
- easy fastening and positioning
- wide range of accessories



IP 67  
STANDARD



rear view



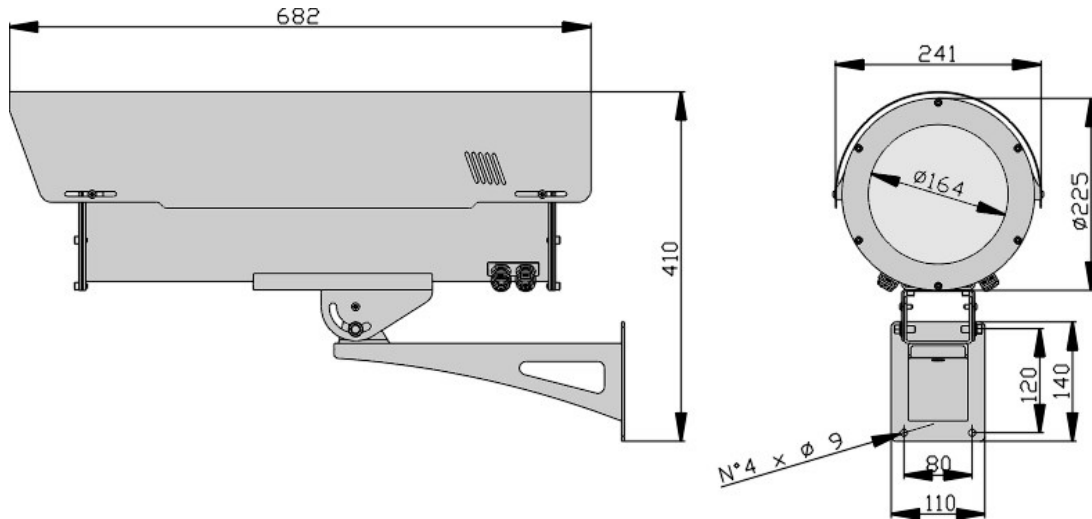
#### Large-size AISI 316L stainless steel housing

**CSX900 BIG** is an AISI 316L stainless steel housing, that has been developed to contain long-range cameras. The high quality materials and the large available internal space make this housing particularly suitable for critical environments such as industrial sites, marine areas or ports, where it is necessary to install long-range cameras with high corrosion resistance and high IP protection rating.

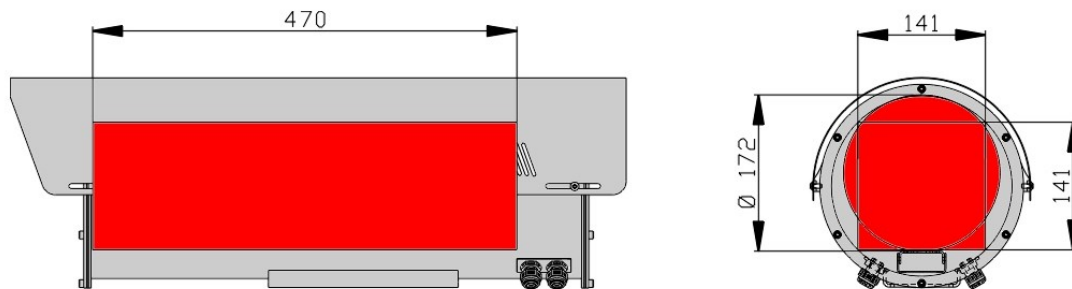
A wide range of accessories is available upon request: high power heater, camera power supply, built-in blower. CSX900 BIG is suitable for all the most common cameras, megapixel cameras, with various lenses (especially high-power zoom lenses).

# DATASHEET

## TECHNICAL DRAWINGS



### internal useful



*the values are in millimeters*

# DATASHEET

## TECHNICAL DATA

### GENERAL

- body made in stainless steel AISI316L
- sunshield in stainless steel AISI316L
- stainless steel A4 bolts and screws
- cable glands: no.4pcs. PG13,5
- wall bracket made in stainless steel AISI316L
- housing with easy opening system through front and back cover
- heater
- wide range of accessories
- supplied with instruction manual
- according to RoHS compliance

### ELECTRICAL

- heater
  - versions available: 230V-110V, 24V, 12V
  - consumption max. 60W
  - t on 15°C t off 22°C +/- 3°C
- internal ventilation
  - versions available: 230V-110V, 24V, 12V
  - consumption max. 1W
  - t on 37°C t off 27°C +/- 3°C

### MECHANICAL

- usable internal space 141x141mm (WxH) or Ø 172
- useful lenght: 470mm
- glass window Ø 164mm
- weatherproof rating IP67
- indoor/outdoor installations
- operating temperature with heater ON: from -20°C to +60°C (with double heater from -40°C to +60°C)
- weight 12 Kg. (KIT version with wall bracket included)

### ACCESSORIES

- RD900/A** double heater 230-110Vac 120W
- RD900/B** double heater 12-24Vac-dc 120W
- AL900/A** 230-110Vac -12Vdc 1,3A
- AL900/B** 230Vac -24Vac 400mA
- VI900** built-in internal ventilation

### RELATED PRODUCTS

- SP/C** AISI 316L pole adaptor
- SA/C** AISI 316L corner adaptor

model	unit weight (Kg.)	package dimensions (cm.) WxHxL	package weight (Kg.)
CSX900 + ST160	12 (tot.)	26,0x26,0x70,0  19,0x15,0x46,0	12,40 (tot.)