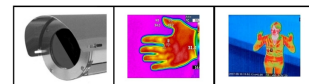




CSX840 Thermal stainless steel AISI 316L housing with Germanium glass for thermal cameras

- ✓ stainless steel AISI 316L housing
- ✓ weatherproof rating IP66
- ✓ slide opening system
- ✓ joint with 3rd axis for easier orientation
- ✓ Germanium glass for thermal cameras
- ✓ wall, ceiling, pole, corner mounting
- ✓ easy fastening and positioning
- ✓ wide range of accessories



AISI316L stainless steel housing with Germanium glass

The **CSX840 Thermal** is a cylindrical weatherproof housing, entirely made of AISI 316L stainless steel with frontal cover and Germanium glass studied for thermal cameras applications. It has a good optical performance: from 7,5 to 14 μ m.

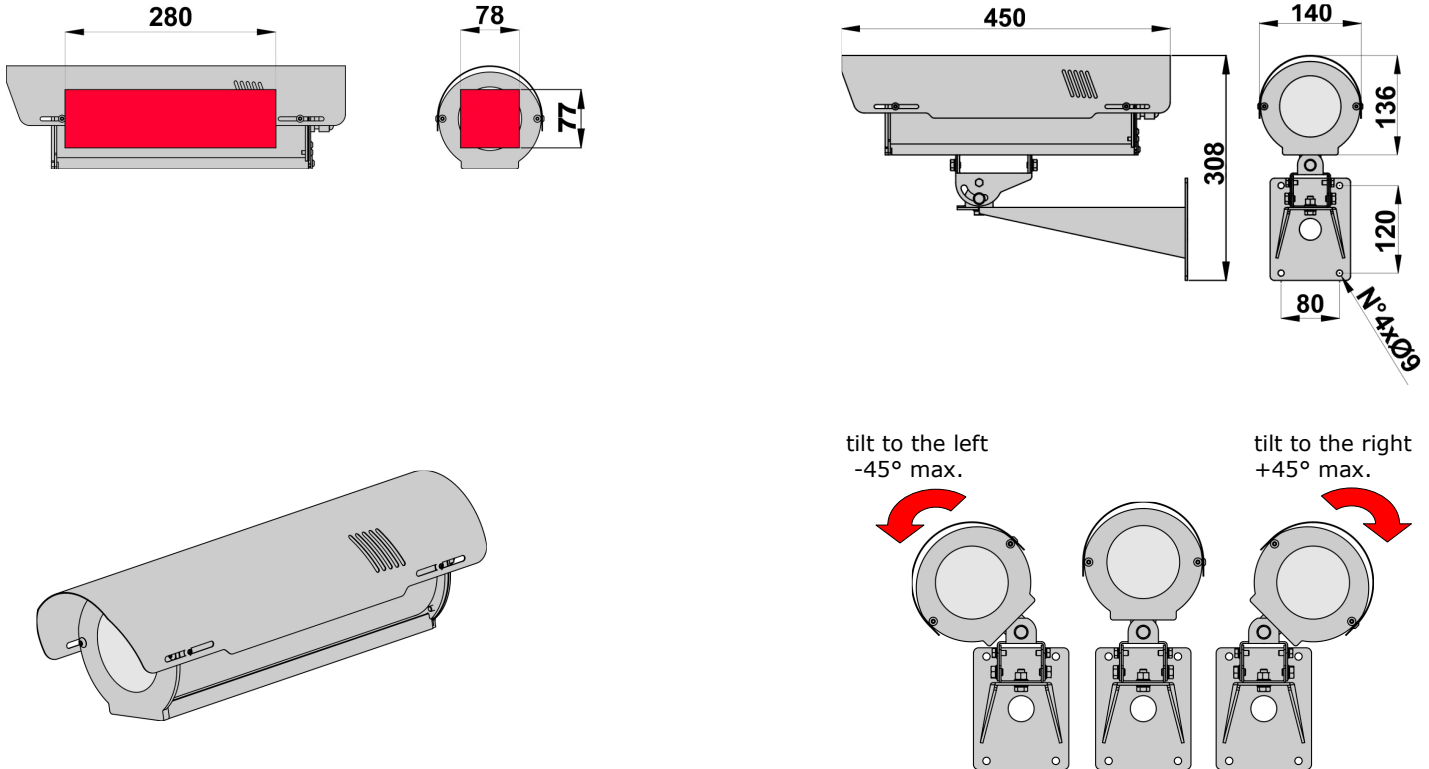
The electropolishing treatment increases the corrosion resistance and makes the housing particularly indicated for installations in marine, industrial and chemical environments. It is supplied with a special joint, realized by Global Proof with an exclusive system that allows the third axis tilt: in this way it is possible to mount the housing also in an arched ceiling or on a wall that is not perpendicular to the ground.

The lightweight of this housing allows to mount it also in small pan-tilt systems.

- DATA SHEET -

camera housing

Useful internal length



the values are in millimeters

TECHNICAL DATA

GENERAL

- body made in stainless steel AISI 316L
- sunshield in stainless steel AISI 316L with wide range of adjustment
- stainless steel A4 bolts and screws
- wall bracket made in stainless steel AISI 316L
- extractable slide-out body
- heater
- wide range of accessories
- supplied with instruction manual
- according to RoHS compliance

Germanium glass

- useful window Ø35mm. (Ø55mm. on request)
- antireflection treatment
- external non-scratch treatment (carbon coating)
- spectral range from 7,5 to 14µm

ELECTRICAL

- heater 230V-110V, 24V, 12V
consumption max. 30W
t on 15°C t off 22°C +/- 3°C
- internal ventilation continuous cycle
power voltage: 230V-110V, 24V, 12V
consumption max. 1W

MECHANICAL

- usable internal space 78x77mm.(BxH) or Ø 95
- useful length: 280mm
- Germanium glass window Ø 35mm. (Ø55mm. on request)
- weatherproof rating IP66
- indoor/outdoor installations
- operating temperature with heater from -20°C to +60°C
- weight 5 Kg. (KIT version with wall bracket included)

ACCESSORIES

- VI840** internal ventilation continuous cycle (pre-assembled)
- AL840/A** power supply 230/12Vdc 1,3A
- AL840/B** power supply 230/24Vac 500mA
- RD840** double heater for low temperatures until -45°C
- SNF800** adaptor plate for pan mounting

RELATED PRODUCTS

- SP/C** pole adaptor AISI 316L
- SA/C** corner adaptor AISI 316L
- STS800** adaptor plate for ceiling mounting

code	unit weight (Kg.)	package dimensions (cm.) WxHxL	package weight (Kg.)
KIT CSX840 Thermal + ST800	5 (tot.)	19,0 x 15,0 x 46,0 19,0 x 15,0 x 46,0	5,40 (tot.)

Specifications are subject to change without notice, weights and dimensions are indicative.

rev.0414

GLOBAL PROOF S.r.l.

Via dell'Industria, 10 36013 Piovene Rocchette (VICENZA) ITALY
phone +39.0445.396190 fax +39.0445.395000

info@globalproof.it

www.globalproof.it