

DATASHEET

PTX200DH-TH

PAN&TILT positioning unit -Dual Head- made of AISI 316L stainless steel

- Sturdy AISI 316L stainless steel construction
- 'Top mount' system
- Analog and IP ready
- Dual head: with clear glass and wiper for security camera
with Germanium filter for thermal camera
- IP66/IP67 weatherproof rating
- Easy installation



Pan & tilt unit made of AISI 316L stainless steel

The **PTX200DH-TH** P&T unit is made of sturdy AISI 316L stainless steel with electropolishing treatment, that makes the product high resistant and suitable for marine and/or aggressive environments. Some of its peculiar features are: the high speed of both horizontal and vertical movements (up to 50°/sec), the maximum precision and the connection versatility. This P&T unit is ready to be connected to both analog and IP cameras; in the latter case, all the PELCO-D protocol commands are sent to the camera that has to be ONVIF-S compliant.

The PTX200DH P&T unit is equipped with two housings: one is ready for visible light cameras (video surveillance) and it features a wiper, while the other one is equipped with Germanium filter for thermal cameras. The exclusive **PTZ Controller** software, that is provided as standard equipment, allows the management and configuration of all the presets, in order to obtain the best system performance.

There is a wide range of washer tanks with integrated pump and several delivery head options available, in addition to other accessories: wall bracket, pole adapter, corner adapter, etc.

DATASHEET

TECHNICAL DATA

GENERAL

| | |
|---------------------------------|---|
| Material | AISI 316L stainless steel |
| Finishing | electropolishing |
| Horiz. movement (Pan) | 360° (continuous rotation) |
| Vert. movement (Tilt) | 180° (+/- 90°) |
| Electronically adjustable speed | Pan: 0 < 50°/s Tilt: 0 < 50°/s |
| Max. precision | +/- 0,1° |
| Operating temperature | from -30°C to +60°C (from -22°F to +144°F) <i>(with heater ON)</i> |
| Weatherproof rating | IP66/IP67 |
| Cable entry | no.3 M16x1,5 metal cable glands no.1 M25x1,5 metal cable gland |
| Dimensions | (see technical drawings on the next page) |
| Weight | 29Kg <i>(without the camera)</i> |

ELECTRICAL

| | |
|-------------|---|
| Power | 220/240Vac 50/60Hz - 0,5A 110/120Vac 50/60Hz - 1,1A 24Vac 50/60Hz -5A |
| Consumption | 100W max. 20W typical <i>(with P&T unit ON)</i> PTX200DH double head with heater and IR illuminator ON: max 100W |

CONNECTION INTERFACE

| | |
|---|---|
| Compatible with IP cameras with RS485 serial port and Onvif profile S communication protocol. | |
| Serial interface | RS485 with Pelco D protocol |
| Ethernet interface | Ethernet 10/100 Base-T (8 wires) BNC connector (as an alternative) |
| Input alarm | 1 input (10-35Vdc) |
| Output alarm | 1 open collector output (max. 35Vdc – 0,5A) |

GERMANIUM FILTER

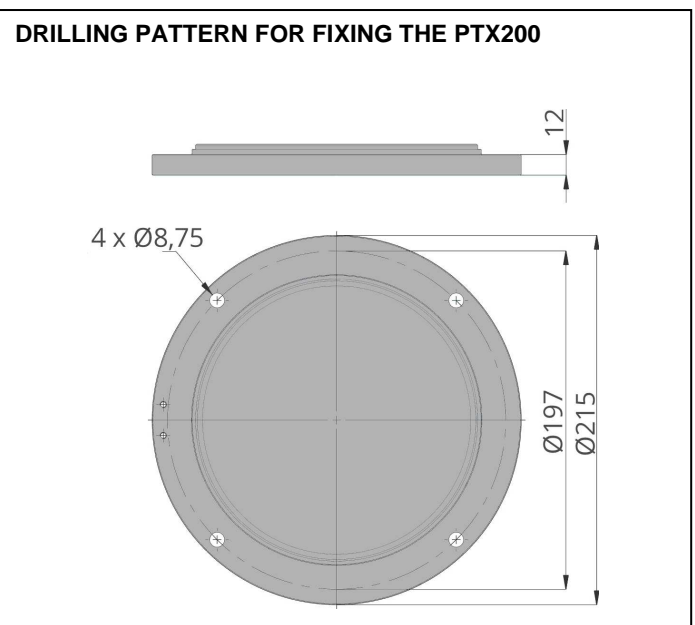
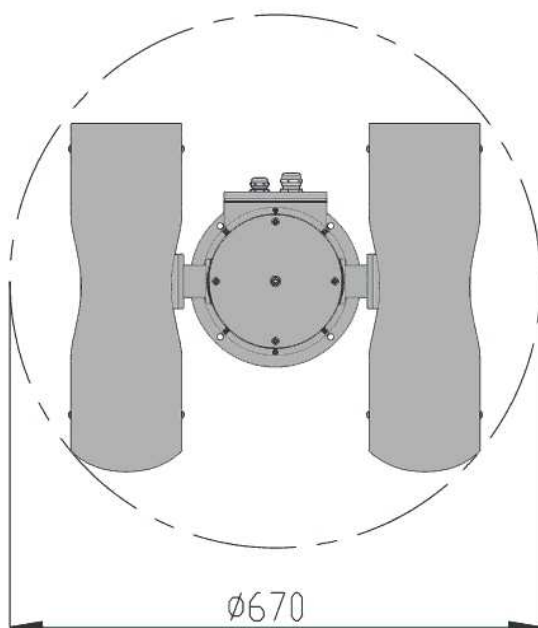
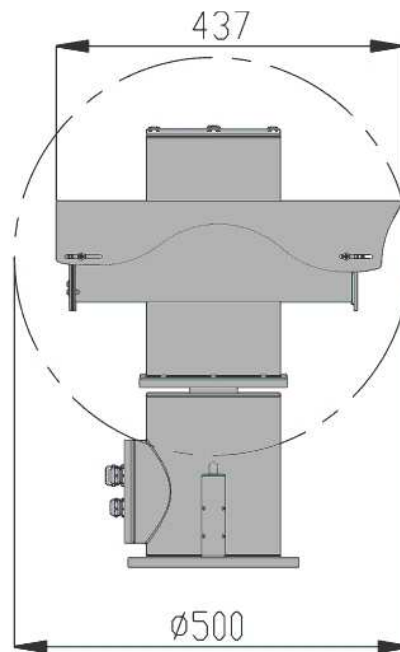
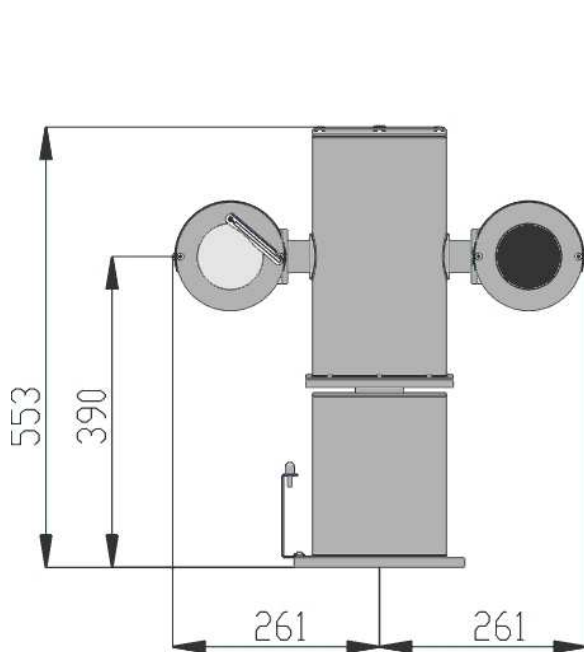
| | |
|------------------|--|
| Germanium filter | Useful window Ø35mm (Ø55mm on request) |
| | Antireflection treatment |
| | External anti-scratch treatment (carbon coating). |
| | Spectral range: from 7,5 µm to 14 µm. |

ACCESSORIES

| | |
|-------|--|
| ST200 | wall bracket |
| SP/CB | pole mount adapter |
| SA/CB | corner mount adapter |
| WTP5 | 5 l washer tank |
| | 5 m, 11 m or 19 m delivery head (depending on the model) |
| WTP25 | 25 l washer tank |
| | 5 m, 11 m or 19 m delivery head (depending on the model) |

DATASHEET

TECHNICAL DRAWINGS



All the dimensions are expressed in millimeters.