

DATASHEET

PTX200SH

PAN&TILT positioning unit -Single Head- made of AISI 316L stainless steel

- Sturdy AISI 316L stainless steel construction
- 'Top mount' system
- Analog and IP ready
- IP66/IP67 weatherproof rating
- Easy installation



Pan & tilt unit made of AISI 316L stainless steel

The **PTX200SH** P&T unit is made of sturdy AISI 316L stainless steel with electropolishing treatment, that makes the product high resistant and suitable for marine and/or aggressive environments. Some of its peculiar features are: the high speed of both horizontal and vertical movements (up to 50°/sec), the maximum precision and the connection versatility. This P&T unit is ready to be connected to both analog and IP cameras; in the latter case, all the PELCO-D protocol commands are sent to the camera that has to be ONVIF-S compliant.

PTX200SH P&T unit is equipped with wiper and the exclusive **PTZ Controller** software, that allows the management and configuration of all the presets, in order to obtain the best system performance.

There is a wide range of washer tanks with integrated pump and several delivery head options available, in addition to other accessories: wall bracket, pole adaptor, corner adaptor, etc

DATASHEET

TECHNICAL DATA

GENERAL

Material	AISI 316L stainless steel
Finishing	electropolishing
Horiz. movement (Pan)	360° (continuous rotation)
Vert. movement (Tilt)	180° (+/- 90°)
Electronically adjustable speed	Pan: 0 < 50°/s Tilt: 0 < 50°/s
Max. precision	+/- 0,1°
Operating temperature	from -30°C to +60°C (from -22°F to +144°F) <i>(with heater ON)</i>
Weatherproof rating	IP66/IP67
Cable entry	no.3 M16x1,5 metal cable glands no.1 M25x1,5 metal cable gland
Dimensions	(see technical drawings on the next page)
Material	25Kg. <i>(without the camera)</i>

ELECTRICAL

Power	220/240Vac 50/60Hz - 0,5A 110/120Vac 50/60Hz - 1,1A 24Vac 50/60Hz -5A
Consumption	100W max. 20W typical <i>(with P&T unit ON)</i> PTX200SH single head with heater ON: max. 60W

CONNECTION INTERFACE

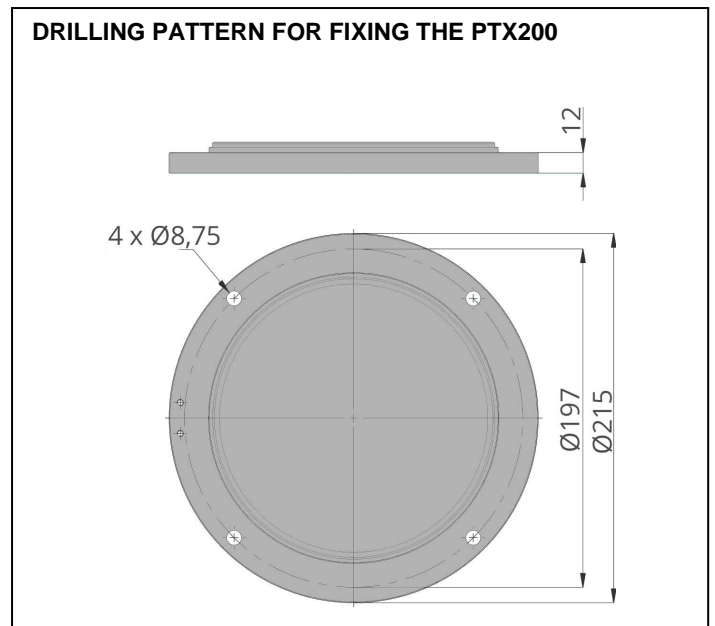
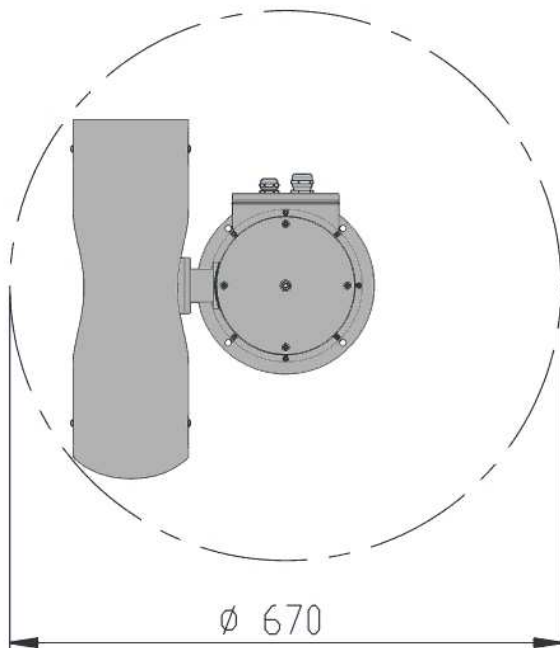
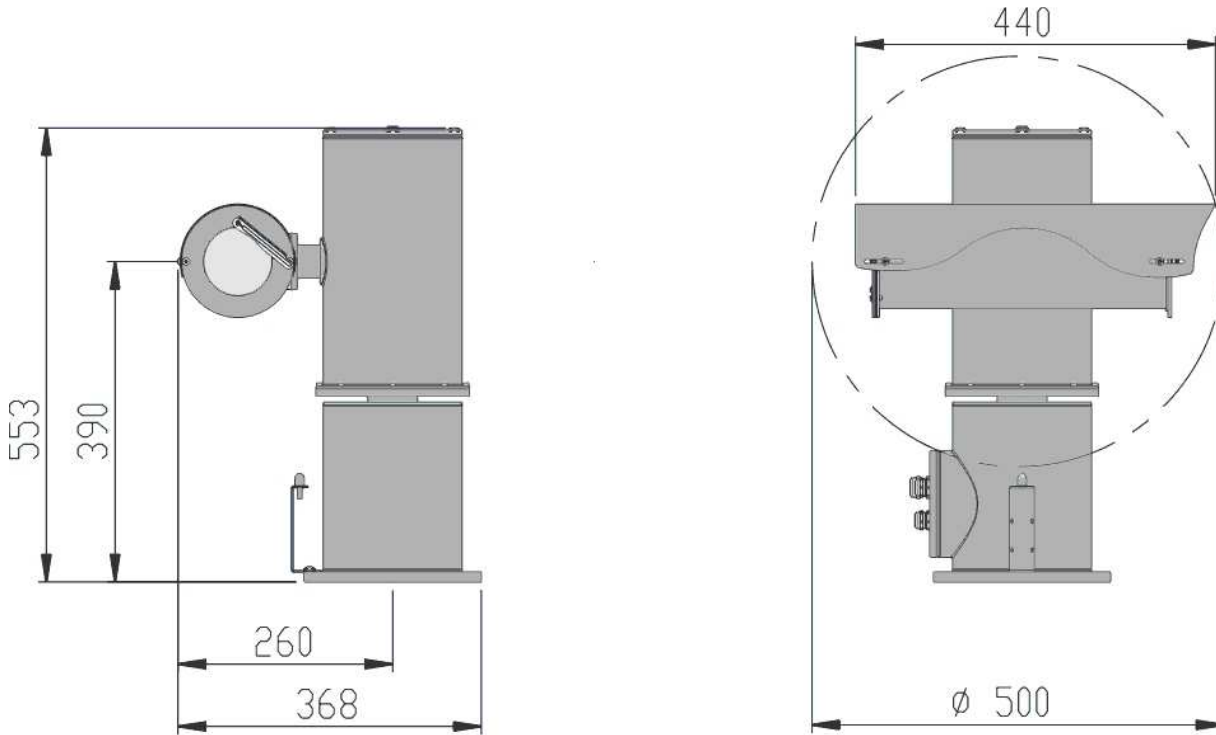
Compatible with IP cameras with RS485 serial port and Onvif profile S communication protocol.	
Serial interface	RS485 with Pelco D protocol
Ethernet interface	Ethernet 10/100 Base-T (8 wires) BNC connector (as an alternative)
Input alarm	1 input (10-35Vdc)
Output alarm	1 open collector output (max. 35Vdc – 0,5A)

ACCESSORIES

ST200	wall bracket
SP/CB	pole mount adapter
SA/CB	corner mount adapter
WTP5	5 l washer tank 5 m, 11 m or 19 m delivery head (depending on the model)
WTP25	25 l washer tank 5 m, 11 m or 19 m delivery head (depending on the model)

DATASHEET

TECHNICAL DRAWINGS



All the dimensions are expressed in millimeters.