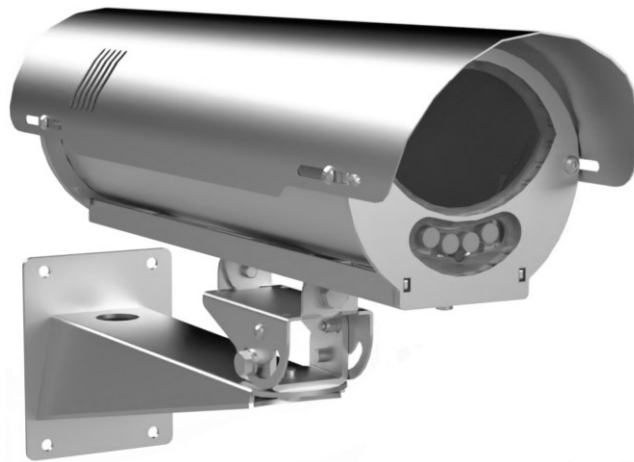


DATASHEET

CSX850

stainless steel AISI 316L housing with long range IR illuminator integrated

- AISI 316L stainless steel housing
- weatherproof rating IP67
- slide opening system
- joint with 3rd axis for easier orientation
- IR illuminator integrated (wavelength 850nm)
- adjustable night switch integrated
- adjustable IR intensity illumination
- IR distance: up to 80m.
- Input power: 230Vac or 24Vac (two different models)
- easy fastening and positioning
- wide range of accessories



IP 67
STANDARD 

AISI316L stainless steel housing

CSX850 is a cylindrical weatherproof housing, entirely made of AISI 316L stainless steel. The electropolishing treatment increases the corrosion resistance and makes the housing particularly indicated for installations in marine, industrial and chemical environments.

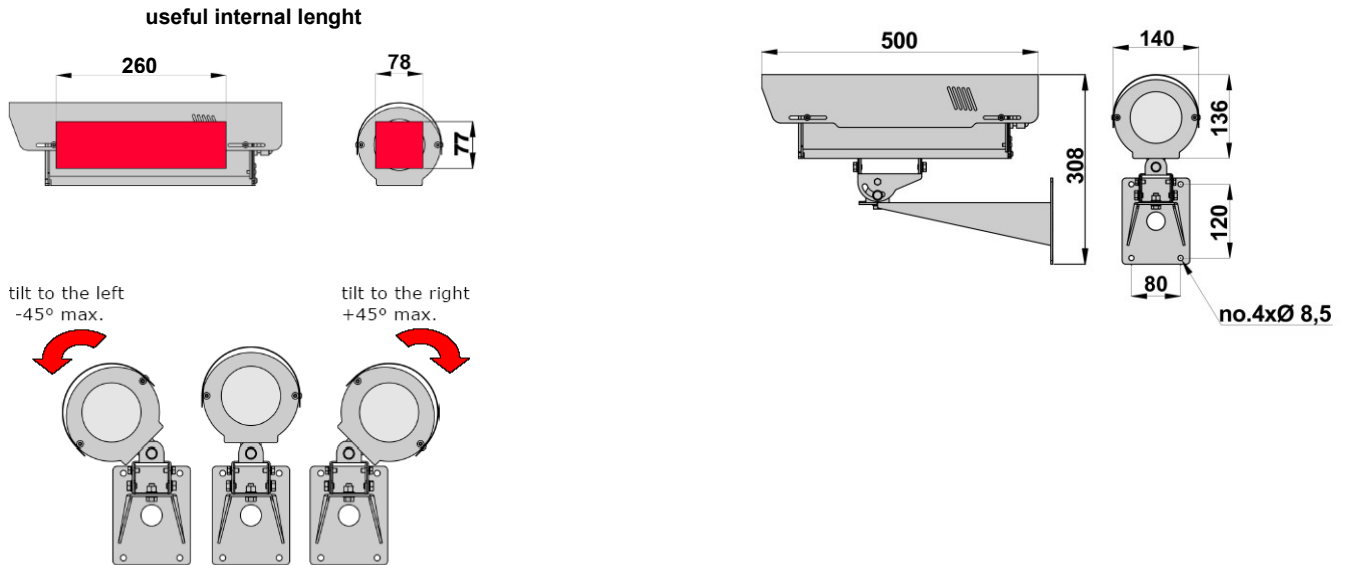
Inside the housing there are 4 long range infrared Led illuminators with low power consumption. The built-in monitoring circuit provides great flexibility and precision during installation and adjustments: it allows to adjust both the twilight switching threshold and the intensity of the IR light. When placing the order, it is possible to choose from four different angles of illumination: 10°, 30° and 60°.

It is supplied with a special joint, realized by Global Proof with an exclusive system that allows the third axis tilt: in this way it is possible to mount the housing also in an arched ceiling or in a wall that is not perpendicular to the ground.

The lightweight of this housing allows to mount it also in small pan-tilt systems.

DATASHEET

TECHNICAL DRAWINGS



the values are in millimeters

TECHNICAL DATA

GENERAL

- body made in stainless steel AISI 316L
- sunshield in stainless steel AISI 316L with wide range of adjustment
- stainless steel A4 bolts and screws
- wall bracket made in stainless steel AISI 316L
- extractable slide-out body
- no. 2 metallic cable glands PG13,5
- heater
- wide range of accessories
- supplied with instruction manual according to RoHS compliance

ELECTRICAL

- thermostatically controlled heater
power max. 30W
t on +15°C t off +22°C (+/- 3°C)
- thermostatically controlled blower
power max. 1W
t on +37°C t off 27°C (+/- 3°C)
- Built-in IR illuminator:
IN 230-110Vac 10W
IN 24Vac 10W
- **TR1** trimmer for adjusting the twilight switch sensor and **TR2** trimmer for adjusting the IR emission intensity.

MECHANICAL

- usable internal space 78x77mm.(BxH) or Ø 95
- useful length: 260mm
- glass window with anti-reflective optical separator
- weatherproof rating IP67
- indoor/outdoor installations
- operating temperature with heater from -20°C to +60°C (with double heater from -40°C to +60°C)
- weight 7 Kg. (weight of the housing in KIT version)

ACCESSORIES

- VI850** internal ventilation pre-assembled
- RD850** double heater for low temperature (down to -40°C)
- AL850/A** power supply 230/12Vdc 1,3A
- AL850/B** power supply 230/24Vac 500mA
- SNF800** adaptor plate for pan/tilt devices

RELATED PRODUCTS

- SP/C** pole adaptor AISI 316L
- SA/C** corner adaptor AISI 316L
- STS800** adaptor plate for ceiling mounting

DATASHEET

PERFORMANCES CHART		
Model	Angle	Distance (meters) *
CSX850	10°	80
	30°	50
	60°	30

* typical distance in meters depends of the reflection coefficient of the illuminated scene, camera sensitivity at IR wavelength, lens combination, etc.

code	unit weight (Kg.)	package dimensions (cm.) WxHxL	package weight (Kg.)
CSX850 + ST800	7,0 tot.	19,0 x 15,0 x 46,0 + 19,0 x 15,0 x 46,0	7,40 (tot.)