

# DATASHEET

## CRONO CLP870

### Aluminium side opening housing with integrated IR illuminator

- Housing with integrated IR illuminator
- Weatherproof rating IP66/67 and **IK10** vandal resistant
- Made of die-cast aluminium
- Integrated wiper (on request)
- IR wavelength 850nm
- Adjustable night switch
- Adjustable IR intensity
- IR LED illuminator low consumption and long life
- Illumination up to 180 meters



Integrated wiper version



#### Side opening housing cable managed for D&N cameras with integrated IR illuminator

The **CRONO CLP870** housing is particularly suitable for DAY&NIGHT cameras with mechanical IR cut filter. This all-in-one solution allows to mount the camera outdoor without needing any additional device. The built-in control circuit permits the DAY/NIGHT switching by means of the twilight sensor in the infrared LED array or by external input (dry contact). The optimum performance of the IR LEDs, together with the wide range of adjustments of both the IR switch and the control circuit, allows to reduce installation costs and times.

The die-cast aluminium construction provides high impact resistance and good heat dissipation toward the outside, while the side opening notably simplifies the processes of mounting and maintenance. Supplied with wall bracket cable managed.

There is a wide range of accessories available: double heating, anti-tamper switch, built-in blower, closing with safety lock on rear side.

Suitable for every installation of cameras, megapixel cameras with various lenses.

# DATASHEET

## TECHNICAL DATA

### GENERAL

- body made in die-cast aluminium
- sunshield in techno polymer UV with wide range of adjustment
- painted with polyester powder RAL 7035 (light grey)
- stainless steel bolts and screws
- side opening housing
- wall bracket and joint cable managed
- passage of the cable through wall bracket
- heater
- wide range of accessories
- supplied with instruction manual
- according to RoHS compliance

### ELECTRICAL

- heater  
power voltage: 230-110Vac, 24Vac-dc  
max. consumption 30W  
t on +15°C t off +22°C (+/- 3°C)
- internal ventilation:  
max. consumption 1W  
t on +37°C t off +27°C (+/- 3°C)
- integrated IR illuminator: consumption max. 18W
- trimmer:
  - TR1** adjustable night switch trimmer
  - TR2** adjustable IR intensity of illumination
  - M1** terminal block for external input (dry contact)
- Integrated wiper (optional):  
input 230Vac 5W (24V version **NOT available**)

### MECHANICAL

- usable internal space 90x70mm (WxH)
- useful length:: \* see technical chart pag.4
- weatherproof rating IP66/67
- vandal resistant IK10
- indoor/outdoor installation
- operating temperature (with heater) from -20°C to +60°C  
\* from -40°C to +60°C (with strength heater)
- weight: 3 Kg. (kit version)

### ACCESSORIES

- RP870/A** strength heater 230-110Vac 60W
- RP870/B** strength heater 12-24Vac-dc 60W
- VI870** internal ventilation
- TP870** alarm-tamper system
- LC870** safety-lock system

### RELATED PRODUCTS

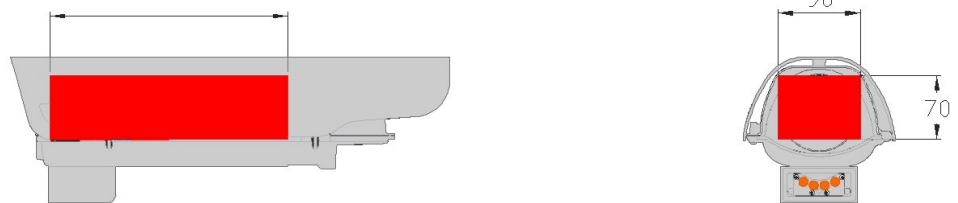
- STS700** ceiling bracket
- SP/A** pole adaptor
- SA/A** corner adaptor
- PA1** reinforcing support plate
- PA1/SD** reinforcing support plate in weatherproof box

# DATASHEET

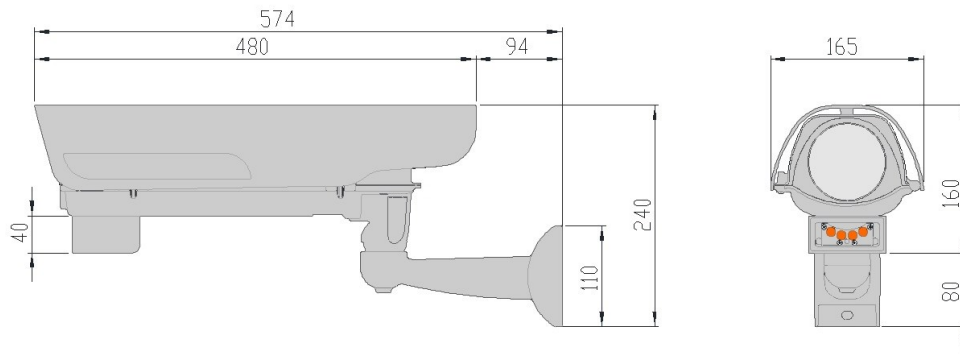
## TECHNICAL DRAWINGS

### Internal useful space

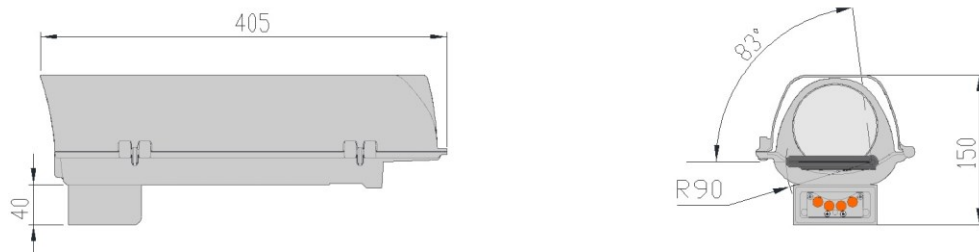
*\*see technical chart pag.4*



### External dimensions



### Integrated wiper version



*The values are in millimeters*

# DATASHEET

**Versions:**

Model	Feeding voltage	IR led consumption	Wiper consumption	Heater consumption	Useful internal length
CRONO CLP870+TC+ST+RS+IR+WP -230-	230Vac	18W	5W	30W	200mm
CRONO CLP870+TC+ST+RS+IR -230-	230Vac	18W	-	30W	230mm
CRONO CLP870+TC+ST+RS+IR -24-	24Vac-dc	18W	-	30W	230mm

Model	Feeding voltage	Illumination angle	Distance (meters)*
CRONO CLP870	110-230Vac 24Vac-dc	10°	180
		30°	130
		60°	90

\* typical distance in meters depends of the reflection coefficient of the illuminated scene, camera sensitivity at IR wavelength, lens combination, etc.

model	unit weight (Kg.)	package dimension (cm.) WxHxL	package weight (Kg.)
CRONO CLP870	3,00	21,0 x 18,8 x 50,0	3,2 (tot.)

Specifications are subject to change without notice, weights and dimensions are indicative

rev. 2318