



CTT860 Thermal aluminium housing with Germanium glass for thermal cameras

- ✓ made entirely in aluminium
- ✓ weatherproof rating IP66
- ✓ germanium glass for thermal cameras
- ✓ wall, ceiling, pole, corner mounting
- ✓ slide opening system
- ✓ easy fastening and positioning



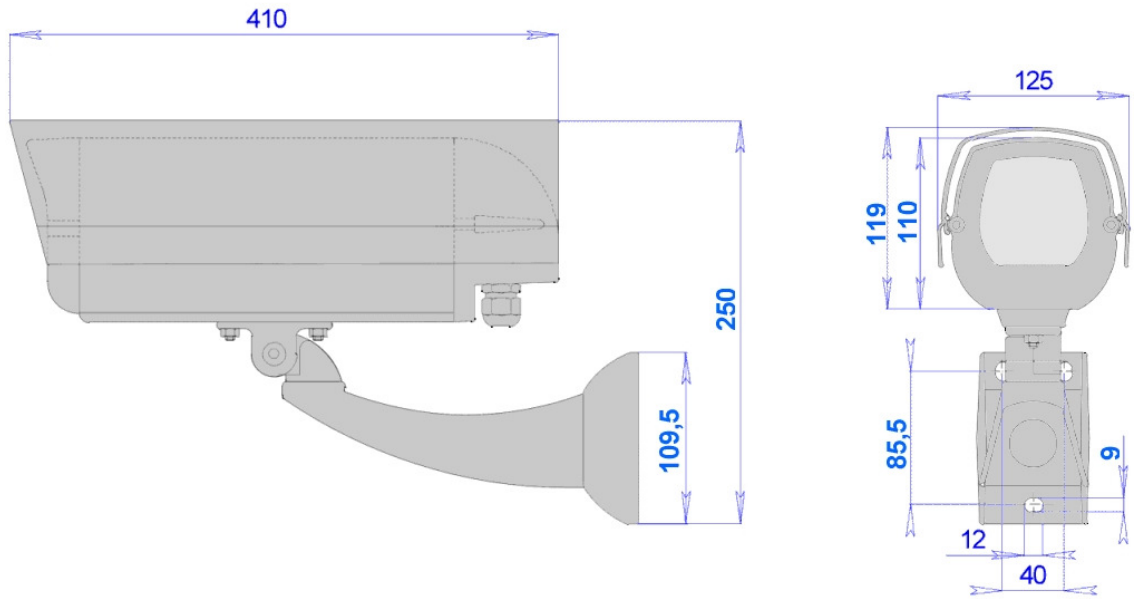
Aluminium housing

Housing model **CTT860 Thermal** made entirely in aluminium with frontal cover and Germanium glass studied for thermal cameras applications. It has a good optical performance: from 7,5 to 14 μ m.

Available there are a wide range of accessories: cameras power supply, ventilation set, anti-tampering set, anticondensing glass, antibreaking glass, etc. Suitable for most 1/2" 1/3" and 1/4" cameras with fixed focal lenses or compact zoom.

- DATA SHEET -

camera housing



the values are in millimeters

TECHNICAL DATA

GENERAL

- body and sunshield made in aluminium
- painted with polyester powder RAL 7035 (light grey)
- stainless steel bolts and screws
- with silica-gel (anticondensing salt) and allen keys for opening
- extractable slide-out unit with locking system
- heater
- wide range of accessories
- supplied with instruction manual
- according to RoHS compliance

GERMANIUM GLASS

- useful window Ø35mm. (Ø55mm. on request)
- antireflection treatment
- external non-scratch treatment (carbon coating)
- spectral range from 7,5 to 14µm

ELECTRICAL

- heater 230-110-24-12 Vac
consumption max. 30W
t on 15°C t off 22°C +/- 3°C
- ventilation 230Vac, 24Vac, 12Vac
consumption max. 1W
t on 37°C t off 27°C +/- 3°C
- power supply AL600/... :
AL600/A 230Vac -12Vdc 1,3A
AL600/B 230Vac -24Vac 400mA

MECHANICAL

- usable internal space 80x72mm (WxH)
length 150-260-310mm.
- weatherproof rating IP66
- no.3 cable glands
- indoor/outdoor installations
- operating temperature from -20°C to +50°C
- weight 3 Kg. (on version 260mm KIT)

RELATED PRODUCTS

- STS500** ceiling bracket
- SP/A** pole adaptor
- SA/A** corner adaptor
- PA1** reinforcing support plate
- PA1/SD** reinforcing support plate in weatherproof box
- PS1** external power supply 230/12Vdc 400mA and 12Vac.
- PS2** external power supply 230/12Vdc 400mA
- PS3** external power supply 230/24Vac 400mA

Specifications are subject to change without notice, weights and dimensions are indicative