



### **CKS605 POE** housing for network camera PoE (IEEE 802.3af compliant)

- ✓ housing PoE for network camera (IEEE 802.3af compliant)
- ✓ output 12Vdc for camera defrosting
- ✓ weatherproof rating IP66
- ✓ wall, ceiling, pole, corner mounting
- ✓ made in aluminium
- ✓ housing powered directly by Ethernet cable



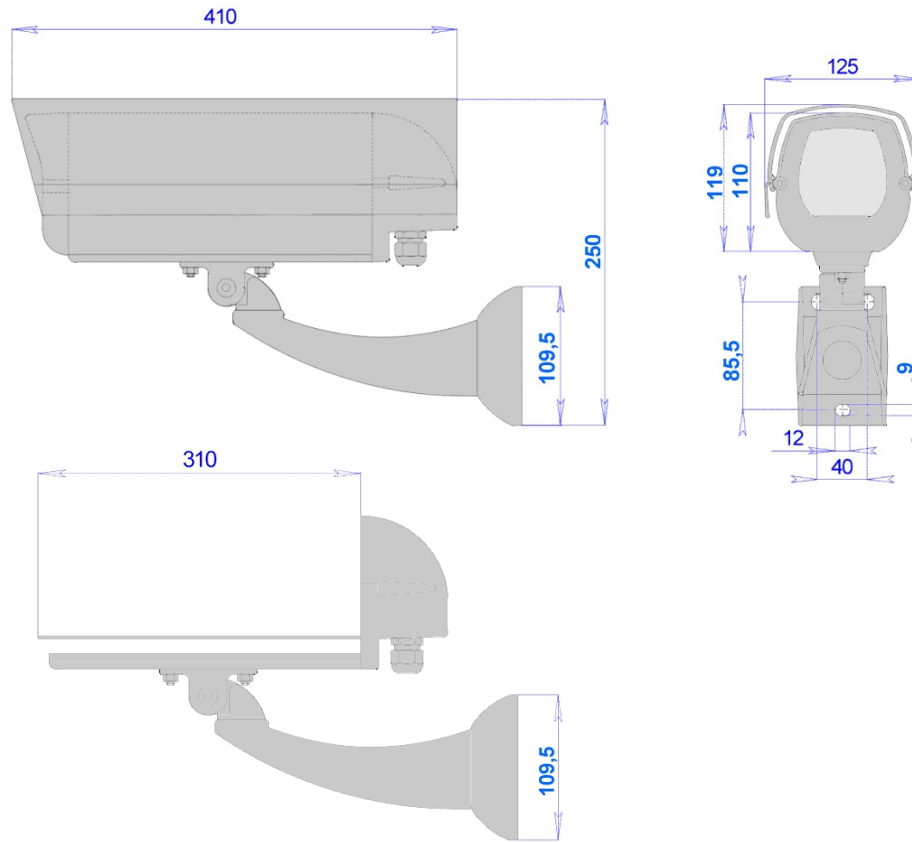
#### **Housing with PoE power input**

The housing **CKS605 POE** is designed specifically for PoE network cameras. The camera power, heating and ventilation is handled directly from the internal circuit "Smart PoE", in this way it not need any additional external power sources.

This system "user friendly" makes a very easy installation, as first step it can mount the camera, then go to the site and install the pre-wired enclosure.

# - DATA SHEET -

## CAMERA HOUSING



the values are in millimeters

### TECHNICAL DATA

#### GENERAL

- body and sunshield made in aluminium
- painted with polyester powder RAL 7035 (light grey)
- stainless steel bolts and screws
- with silica-gel (anticondensing salt) and allen keys for opening
- extractable slide-out unit with locking system
- Ethernet cable gland
- heater
- wide range of accessories
- supplied with instruction manual
- according to RoHS compliance

#### ELECTRICAL

- heater  
consumption max. 5W  
t on 15°C t off 22°C +/- 3°C
- ventilation  
consumption max. 1W  
t on 37°C t off 27°C +/- 3°C

#### MECHANICAL

- usable internal space 80x72mm (WxH)  
usefull lenght:  
260mm (*compact model*)  
310mm (*standard model*)
- weatherproof rating IP66
- indoor/outdoor installations
- operating temperature from -20°C to +50°C
- weight 3 Kg. (KIT version )

#### ACCESSORIES

- VA605** anti breacking glass
- VC605** anticondensing glass
- VI605** internal ventilation continuous cycle
- VE605** high efficiency external ventilation system
- PSP1** PoE injector one port (IEEE 802.3af)

#### RELATED PRODUCTS

- ST5500** ceiling bracket
- SP/A** pole adaptor
- SA/A** corner adaptor
- PA1** reinforcing support plate
- PA1/SD** reinforcing support plate in weatherproof box

Specifications are subject to change without notice, weights and dimensions are indicative.

rev1013