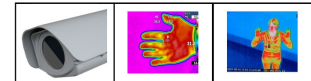




### CRONO CLK311 Thermal side opening aluminium housing

- ✓ side opening housing
- ✓ weatherproof rating IP66
- ✓ version with integrated wiper
- ✓ germanium glass for thermal cameras
- ✓ wall, ceiling, pole, corner mounting
- ✓ made entirely in aluminium
- ✓ easy fastening and positioning
- ✓ wide range of accessories



indoor version



safety lock

#### Side opening housing for thermal cameras

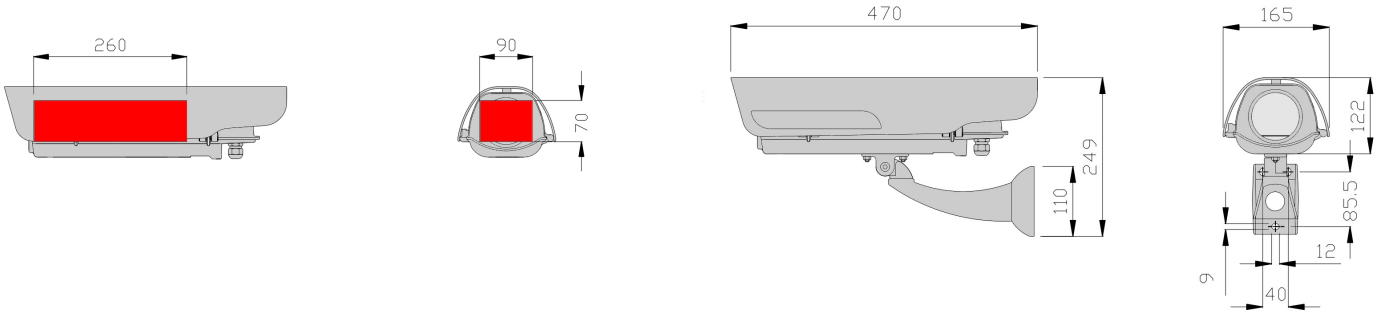
The housing **CRONO CLK311 Thermal** is designed to simplify installation and maintenance of the most popular thermal cameras. The frontal window with Germanium glass is studied for thermal cameras applications. It has a good optical performance: from 7,5 to 14 $\mu$ m. Inside the housing is possible to install more accessories for any installation requirement: analog, IP, fiber optics (ex. MediaConverter, UMTS router) etc. The die-cast aluminum construction provides high impact resistance and good heat dissipation to the outside while the side opening facilitates accessibility to the camera and connectivity during installation and maintenance.

Available there are a wide range of accessories: double heating, alarm-tamper system, camera power supply, ventilation, high efficiency ventilation system for high temperatures, safety-lock system.

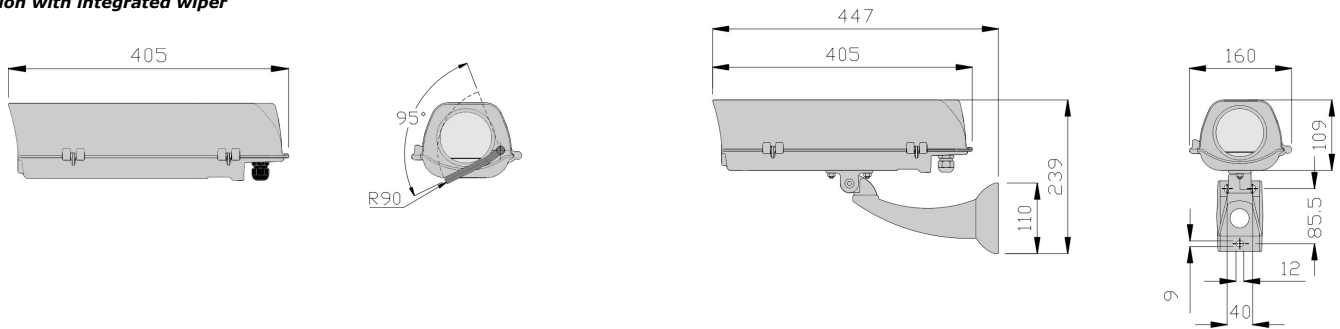
# - DATA SHEET -

## camera housing

### useful area



### version with integrated wiper



the values are in millimeters

## TECHNICAL DATA

### GENERAL

- body made in aluminium
- sunshield in technopolymer UV with wide range of adjustment
- painted with polyester powder RAL 7035 (light grey)
- stainless steel bolts and screws
- side opening housing
- with silica-gel (anticondensing salt) and allen keys for opening
- cable glands: 2x PG9 and 1x PG11
- heater
- wide range of accessories
- supplied with instruction manual
- according to RoHS compliance

### GERMANIUM GLASS

- useful window Ø35mm. (Ø55mm. on request)
- antireflection treatment
- external non-scratch treatment (carbon coating)
- spectral range from 7,5 to 14µm

### ELECTRICAL

- heater: 230V, 110V, 24V, 12V  
consumption max. 30W  
t on 15°C t off 22°C +/- 3°C
- ventilation: 230V, 110V, 24V, 12V  
consumption max. 2W  
t on 37°C t off 27°C +/- 3°C
- integrated wiper:  
IN 230Vac 5W  
IN 24Vac 5W

### MECHANICAL

- usable internal space 90x70mm (WxH)
- useful length: 260mm
- glass window Ø 35mm. (Ø 55mm. on request)
- weatherproof rating IP66/67
- weatherproof rating with ventilation extracting system IP44
- indoor/outdoor installations
- operating temperature with heater from -20°C to +60°C
- weight 2,9 Kg. (KIT version)

### ACCESSORIES

- AL311/A** power supply 230/12Vdc 1,3A
- AL311/B** power supply 230/24Vac 500mA
- RP311** double heater
- VI311** internal ventilation
- VE311** high efficiency external ventilation system
- TP311** alarm-tamper system
- LC311** safety-lock system
- WTP5** water tank 5l. and pump with delivery up to 5m, 11m or 19m (three versions available)
- WTP25** water tank 25l. and pump with delivery up to 5m, 11m or 19m (three versions available)

### RELATED PRODUCTS

- STS500** ceiling bracket
- SP/A** pole adaptor
- SA/A** corner adaptor
- PA1** reinforcing support plate
- PA1/SD** reinforcing support plate in weatherproof box

code	unit weight (Kg.)	package dimensions (cm.) WxHxL	package weight (Kg.)
KIT CLK311	2,9	21,0 x 18,8 x 50,0	3,20

Specifications are subject to change without notice, weights and dimensions are indicative.

rev. 1214

**GLOBAL PROOF S.r.l.**

Via dell'Industria, 10 36013 Piovene Rocchette (VICENZA) ITALY  
phone +39.0445.396190 fax +39.0445.395000

[info@globalproof.it](mailto:info@globalproof.it)

[www.globalproof.it](http://www.globalproof.it)