

# WV-X25600-V2LN

6MP Vandal Resistant Outdoor Dome Network Camera with AI engine

## X-series dome camera with powerful cutting edge AI



- 6MP Outdoor Vandal Dome camera
- Up to 9 Edge AI analytic apps
- Compatible with AI On-site learning app
- Enables AI image analysis on non-AI cameras (with AI Processing Relay app)
- IP66, IP67, IK10 certified
- Built-in FIPS 140-2 Level 3 Certified SecureElement (EdgeLock® SE050F NXP® Semiconductors)
- NDAA Compliant



# SPECIFICATIONS

| Camera  |  |
|---|--|
| Image Sensor                                    | Approx. 1/1.8 type CMOS image sensor   |
| Scanning Area                                   | 7.68 mm (H) × 4.32 mm (V) {5/16 inches (H) × 5/32 inches (V)}  |
| Minimum Illumination                            | Color : 0.04 lx (30IRE, F1.5, 1/30s)<br>Color : 0.06 lx (50IRE, F1.5, 1/30s)<br>BW : 0.03 lx (50IRE, F1.5, 1/30s)<br>BW : 0 lx (50IRE, F1.5, 1/30s with IR LED)  |
| White Balance                                   | ATW1/ ATW2/ AWC  |
| Shutter Speed                                   | [60 fps mode]<br>1/60 Fix to 1/10000 Fix<br>[30 fps/ 15 fps mode]<br>1/30 Fix to 1/10000 Fix<br>[50 fps mode]<br>1/50 Fix to 1/10000 Fix<br>[25 fps/ 12.5 fps mode]<br>1/25 Fix to 1/10000 Fix                         |
| Maximum Shutter                                 | [60 fps mode]<br>Max. 1/4000 s to Max. 16/30 s<br>[30 fps/ 15 fps mode]<br>Max. 1/4000 s to Max. 16/30 s<br>[50 fps mode]<br>Max. 1/4000 s to Max. 16/25 s<br>[25 fps/ 12.5 fps mode]<br>Max. 1/4000 s to Max. 16/25 s |
| Intelligent Auto                                | On/Off   |
| Super Dynamic                                   | On/Off (Range : 0 to 31)   |
| Dynamic Range                                   | Max. 132 dB<br>(Super Dynamic: On, Level: 31)  |
| Adaptive Black Stretch                          | The level can be set in the range of 0 to 255.   |
| Back Light Compensation/High Light Compensation | BLC (Back light compensation) / HLC (High light compensation) / Off (Range : 0 to 31)<br>*only when Super Dynamic/ Intelligent Auto: Off   |
| Fog Compensation                                | On/Off (Range : 0 to 8)<br>*only when Intelligent Auto / Auto contrast adjust: Off   |
| Maximum Gain (AGC)                              | The level can be set in the range of 0 to 11.  |
| Color/BW (ICR)                                  | Off/ On(IR Light Off)/ On(IR Light On) /<br>Auto1(IR Light Off) / Auto2(IR Light On) / Auto3(SCC)  |
| IR Illumination                                 | High/ Middle/ Low/ Off<br>Maximum irradiation distance:<br>70 m {Approx. 230 ft} (30IRE)*<br>50 m {Approx. 164 ft} (50IRE)<br>* Converted value  |
| Digital Noise Reduction                         | The level can be set in the range of 0 to 255.   |
| Video Motion Detection (VMD)                    | On/ Off<br>4 areas available   |
| Scene Change Detection (SCD)                    | On/ Off<br>1 area available  |
| Audio Detection                                 | On/ Off  |
| AI Sound Classification                         | Selectable from Gunshot, Yell, Vehicle horn, Glass break   |

|                    |   |
|--------------------|---|
| AI Analytics       | AI Video Motion Detection, AI Privacy Guard, AI Face Detection, AI People Detection, AI Vehicle Detection, AI Non mask Detection, AI Occupancy Detection, AI Scene Change Detection, AI On-site Learning, Ai Processing Relay<br><br>For details:<br><a href="https://i-pro.com/products_and_solutions/en/surveillance/products/analytics-software">https://i-pro.com/products_and_solutions/en/surveillance/products/analytics-software</a><br>3rd party applications are also available.<br><a href="https://i-pro.com/products_and_solutions/en/surveillance/solutions/edge-ai-platform/application-list">https://i-pro.com/products_and_solutions/en/surveillance/solutions/edge-ai-platform/application-list</a> |
| Privacy Zone       | On/Off<br>Up to 8 zones available   |
| VIQS               | On/Off<br>Up to 8 zones available   |
| Image Rotation     | 0° (Off) / 90° / 180° (Upside-down) / 270°  |
| Image Stabilizer   | On/Off (Built-in gyro sensor)<br>Available only in the 30 fps mode  |
| Camera Title (OSD) | On/Off<br>Up to 40 characters, Up to 2 lines (alphanumeric characters, marks)   |

| Lens                      |  |
|---------------------------|--|
| Optical Zoom              | 2.0x (Motorized zoom / Motorized Focus)  |
| Extra Zoom                | max 10.4x<br>(2.0x - 10.4x when resolution is 640x360)                                 |
| Digital (electronic) Zoom | -  |
| Focal Length              | 4.3 mm – 8.6 mm<br>{5/32 inches – 11/32 inches}  |
| Angular Field of View     | [16:9 mode]<br>Horizontal : 52°(TELE) - 101°(WIDE)<br>Vertical : 29°(TELE) - 55°(WIDE) |
| Maximum Aperture Ratio    | 1:1.5(WIDE) - 1:2.4(TELE)  |
| Focus Range               | 1.0 m {39-3/8 inches} - ∞  |
| Aperture Range            | F1.5 - close   |

| DORI                       |  |
|----------------------------|--|
| Detect (25ppm / 8ppf)      | 54.9m {180.0ft} (WIDE) 136.5m {447.7ft} (TELE) |
| Observe (62.5ppm / 19ppf)  | 21.9m {72.0ft} (WIDE) 54.6m {179.1ft} (TELE)   |
| Recognize (125ppm / 38ppf) | 11.0m {36.0ft} (WIDE) 27.3m {89.5ft} (TELE)    |
| Identify (250ppm / 76ppf)  | 5.5m {18.0ft} (WIDE) 13.6m {44.8ft} (TELE)     |

| System on Chip       |                |
|----------------------|----------------|
| System on Chip (SoC) | Ambarella CV52 |

| Adjusting Angle |   |
|-----------------|---|
| Adjusting Angle | Horizontal (PAN) angle: -194°to +166°<br>Vertical (TILT) angle: -30°to +85°<br>Azimuth (YAW) angle: ±100° |

| Browser GUI               |   |
|---------------------------|---|
| GUI / Setup Menu Language | English, Italian, French, German, Spanish, Portuguese, Russian, Chinese, Japanese |
| Browser *1                | Microsoft Edge, Firefox, Google Chrome  |

| Network    |  |
|------------|--|
| Network IF | 10BASE-T/100BASE-TX, RJ45 connector  |
| Resolution | [16:9 mode (60 fps mode)] [16:9 mode (50 fps mode)]<br>3328x1872/ 2560x1440<br>[16:9 mode (30 fps mode)] [16:9 mode (25 fps mode)]<br>3328x1872/2560x1440/1920x1080/1280x720/640x360/320x180 |

|                                       |   |
|---------------------------------------|---|
| H.265/H.264 Transmission Mode/Type *2 | [Transmission Mode]<br>Transmission priority:<br>Constant bit rate/ VBR/ Frame rate/ Best effort<br>[Transmission Type]<br>Unicast port (AUTO)/ Unicast port (MANUAL)/ Multicast  |
| JPEG (MJPEG) Image Quality            | 10 steps: 0(SUPER FINE) – 9(LOW)  |
| Smart Coding                          | [GOP(Group of pictures) control]<br>Off/ Low (Variable GOP 1s-8s)/Mid (Variable GOP 4s-16s)/ Frame rate control (Variable GOP 4s-16s with frame rate control)<br>*Frame rate control is only available with H.265.<br>[Smart VIQS]<br>On (High)/ On (Low)/ Off<br>[Smart P-picture control]<br>On/Off                                       |
| Audio Compression Method *3           | G.726 (ADPCM): 16 kbps/ 32 kbps<br>G.711: 64 kbps<br>AAC-LC: 64 kbps/ 96 kbps/ 128 kbps   |
| Audio Transmission Mode               | Off / Mic (Line) input / Audio output / Interactive (Half duplex) / Interactive (Full duplex)   |
| Supported Protocol                    | IPv6: TCP/IP, UDP/IP, HTTP, HTTPS, SSL/TLS, SMTP, DNS, NTP, SNMPv1/v2/v3, DHCPv6, RTP, MLD, ICMP, ARP, IEEE 802.1X, DiffServ, FTP, SFTP, LLDP, MQTT<br>IPv4: TCP/IP, UDP/IP, HTTP, HTTPS, SSL/TLS, RTSP, RTP, RTP/RTCP, SMTP, DHCP, DNS, DDNS, NTP, SNMPv1/v2/v3, UPnP, IGMP, ICMP, ARP, IEEE 802.1X, DiffServ, SRTP, FTP, SFTP, LLDP, MQTT |
| No. of Simultaneous Users             | Up to 14 users (Depends on network conditions)  |
| Secure                                | FIPS 140-2 level 3 (NXP® EdgeLock® SE050F),<br>Device Certificate GlobalSign® pre-installed, HTTPS,<br>User authentication, digest authentication, Host authentication,<br>IEEE802.1X, System log, Image transmission log, brute-force protection,<br>Alteration Detection, Secure boot, Signed firmware                                    |
| SDXC/SDHC/SD Memory Card (Option)     | microSDXC memory card: 64 GB, 128 GB, 256 GB, 512 GB<br>microSDHC memory card: 4 GB, 8 GB, 16 GB, 32 GB<br>microSD memory card: 2 GB  |
| Mobile Terminal Compatibility         | iPad / iPhone (iOS 8.0 or later), Android™ terminals  |
| ONVIF®Profile                         | G / S / T / M   |

## Alarm

|               |   |
|---------------|---|
| Alarm Source  | VMD alarm, SCD alarm, Command alarm, Audio detection alarm  |
| Alarm Actions | SDXC/SDHC/SD memory recording, E-mail notification,<br>HTTP alarm notification Indication on browser, TCP alarm notification output |

## Input/Output

|                           |  |
|---------------------------|--|
| Audio Input *4            | ø3.5 mm stereo mini jack   |
| Audio Output *4           | ø3.5 mm stereo mini jack (Audio output is monaural.)<br>Output impedance: Approx. 600 Ω (unbalanced)<br>Output level: -20 dBV  |
| External I/O Terminals *4 | ALARM IN1<br>(Alarm input 1/ Black & white input/ Auto time adjustment input) (x1)<br>ALARM IN2 (Alarm input 2/ ALARM OUT) (x1)<br>ALARM IN3 (Alarm input 3/ AUX OUT) (x1) |

## General

|                                |  |
|--------------------------------|--|
| Safety                         | UL (UL62368-1), c-UL (CSA C22.2 No.62368-1), CE, IEC62368-1  |
| EMC                            | FCC (Part15 ClassA), ICES-003 Issue 7 ClassA, EN55032 ClassA, EN55035  |
| Power Source/Power Consumption | [Power Source]<br>DC12 V *4, PoE+ (IEEE802.3at compliant)<br>[Power Consumption]<br>DC12 V : 1.2 A / Approx. 14.2 W<br>PoE+ DC 54 V : 260 mA / Approx. 14.0 W (Class 4 device) |
| Ambient Operating Temperature  | -40 °C to +55 °C {-40 °F to +131 °F}<br>(Power On range: -30 °C to +55 °C {-22 °F to +131 °F})   |
| Ambient Operating Humidity     | 10 % to 100 % (no condensation)  |

|                           |   |
|---------------------------|---|
| Water and Dust Resistance | IP66/ IP67 (IEC 60529), Type 4X (UL50E), NEMA 4X compliant  |
| Shock Resistance          | 50J(IEC 60068-2-75 compliant), IK10(IEC62262)   |
| Wind Resistance           | Up to 40 m/s {approx. 89 mph}   |
| Dimensions                | ø154 mm × 105 mm (H) {ø6-1/16 inches ×4-1/8 inches (H)}<br>Dome radius 42 mm {1-21/32 inches}<br>(excluding an attachment for the conduit portion)                              |
| Mass (approx.)            | Approx. 1.1 kg {2.43 lbs}<br>(excluding an attachment for the conduit portion)  |
| Finish                    | Main body: Aluminum die cast, i-PRO white<br>Outer fixing screws:<br>Stainless steel (Corrosion-resistant treatment)<br>Dome cover:<br>PC resin, Clear(with ClearSight coating) |

## NOTES

\*1 For information on the operation verification of the web browsers, refer to our support website <Control No.: C0132>.

\*2 Transmission for 4 streams can be individually set.

\*3 When recording audio on an SD memory card, only use AAC-LC (Advanced Audio Coding - Low Complexity) .

\*4 When using with them, WV-QCA501A cable is required.

### Important

- Safety Precautions : Carefully read the Basic Information,Installation Guide and Operating Instructions before using this product.
- i-PRO Co., Ltd. cannot be held responsible for the performance of the network and/or other manufacturers' products used on the network.
- Masses and dimensions are approximate. Specifications are subject to change without notice.

### Trademarks and registered trademarks

- iPad and iPhone are trademarks of Apple Inc., registered in the U.S.and other countries. - Android is a trademark of Google LLC.
- ONVIF is a trademark of ONVIF, Inc.
- All other trademarks identified herein are the property of their respective owners

©i-PRO Co., Ltd All rights reserved / October 2023

## OPTIONAL ACCESSORIES

Select a compatible accessory

[Accessory Selector \(i-pro.com\)](http://i-pro.com).



WV-QWL501-W  
Mount Bracket



WV-QWL500-W  
Mount Bracket



WV-QSR501M1-W  
Mount Bracket



WV-QSR501M-W  
Mount Bracket



WV-QSR501F1-W  
Mount Bracket



WV-QSR501F-W  
Mount Bracket



WV-QSR501-W  
Mount Bracket



WV-QSR500-W  
Sun Shade



WV-QPL500-W  
Mount Bracket



WV-QJB504-W  
Base Bracket



WV-QJB501-W  
Base Bracket



WV-QJB500-W  
Mount Bracket



WV-QEM500-W  
Mount Bracket



WV-QCN500-W  
Mount Bracket



WV-QCL501-W  
Mount Bracket



WV-QCL101-W  
Mount Bracket



WV-QCL100-W  
Mount Bracket



WV-Q105A  
Mount Bracket



WV-SDB256G  
i-PRO SD Memory Card



WV-SDB128G  
i-PRO SD Memory Card



WV-SDB064G  
i-PRO SD Memory Card



WV-SDB032G  
i-PRO SD Memory Card



WV-QCA501A  
I/O Cable



WV-QCA500A  
RJ45 Ethernet Cable



WV-QDC504C  
Dome Cover



WV-CW7SN  
Dome cover



WV-CW7S  
Dome cover

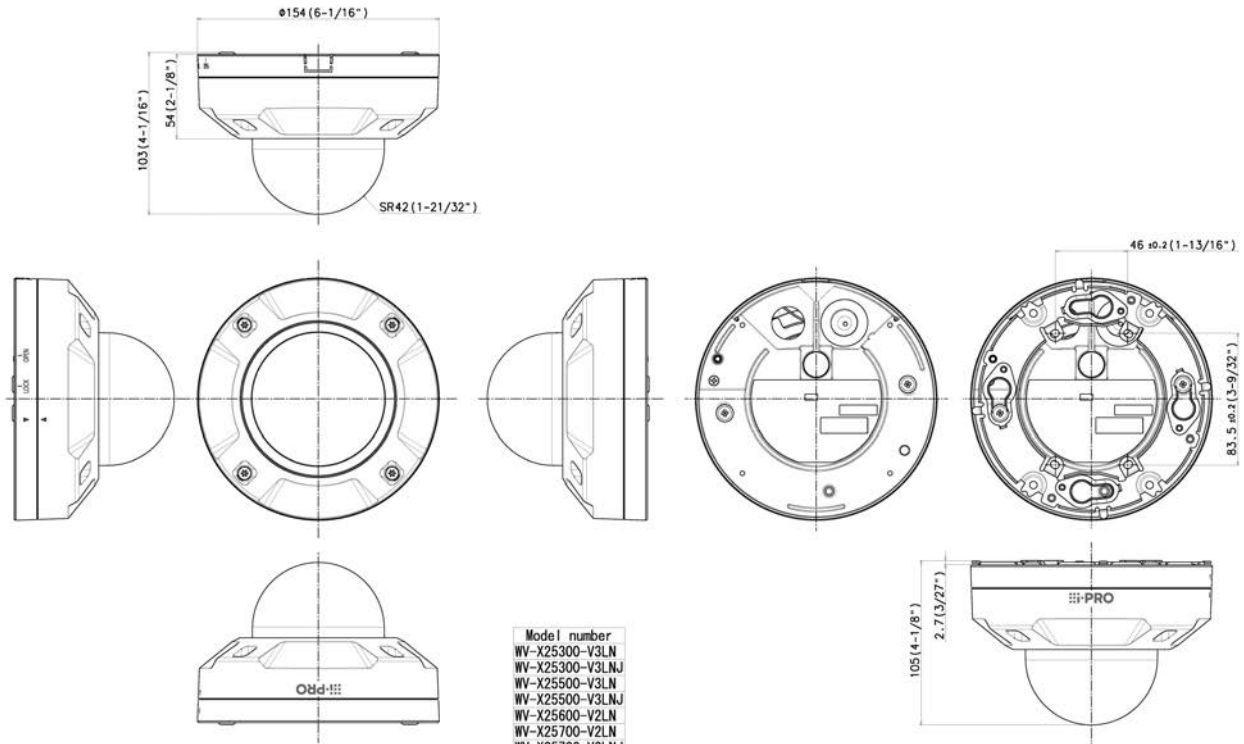


WV-CW7CN  
Dome cover



WV-PM500  
Compact microphone  
unit for surveillance  
cameras

# APPEARANCE



- Model number  
 WV-X25300-V3LN  
 WV-X25300-V3LNJ  
 WV-X25500-V3LN  
 WV-X25500-V3LNJ  
 WV-X25600-V2LN  
 WV-X25700-V2LN  
 WV-X25700-V2LNJ

投影面積/Projected area

側面図/Side-view 0.011 (m<sup>2</sup>)

Mass : Approx. 1.1 kg (2.43 lbs)  
 (Excluding attachment for the conduit portion)



With Attachment plate

Unit:mm