

## DS-2CD3787G2T-LZSU 8 MP ColorVu Varifocal Dome Network Camera

# ColorVu



Hikvision ColorVu technology provides 24/7 vivid colorful images with F1.0 advanced lenses and high performance sensors. F1.0 super-aperture collects more light to produce brighter images. Advanced sensor technology can vastly improve the utilization of available light.

Hikvision has been dedicated to develop products with security since established. Hikvision always follows security by design principle and has adopted many methods of security technologies into our product development lifecycle, including terminal security, data security, application security, network security, and privacy protection. In the meantime, the security technologies used by Hikvision are all in compliance with local applicable laws and safety regulations. These security measures could enhance product's cyber security defense capability and protect your devices as well as your data from malicious cyber attacks.

- 24/7 Colorful imaging
- Anti-Illuminator-Reflection
- High quality imaging with 8 MP resolution
- Efficient H.265+ compression technology
- Clear imaging against strong back light due to 130 dB true WDR technology
- Focus on human and vehicle target classification based on deep learning
- Audio and alarm interfaces available
- Water and dust resistant (IP67) and vandal resistant (IK10)

## ▪ Specification

| Camera                 |  |
|------------------------|--|
| Image Sensor           | 1/1.8" Progressive Scan CMOS   |
| Max. Resolution        | 3840 × 2160  |
| Min. Illumination      | Color: 0.0008 Lux @ (F1.0, AGC ON), 0 Lux with light   |
| Shutter Time           | 1/3 s to 1/100,000 s   |
| Day & Night            | 24/7 color imaging   |
| Angle Adjustment       | Pan: 0° to 355°, tilt: 0° to 75°, rotate: 0° to 355°   |
| Lens                   |  |
| Lens Type              | Varifocal lens, motorized lens, 2.8 to 12 mm   |
| Focal Length & FOV     | 2.8 to 12 mm, horizontal FOV 103.3° to 40°, vertical FOV 52.7° to 22.3°, diagonal FOV 127.9° to 46.1°  |
| Lens Mount             | Integrated   |
| Iris Type              | DC iris  |
| Aperture               | Max. F1.0  |
| Depth of Field         | 2.4 m to ∞   |
| DORI                   |  |
| DORI                   | Wide: D: 96 m, O: 38.1 m, R: 19.2 m, I: 9.6 m<br>Tele: D: 160m, O: 63.5 m, R: 32.0 m, I: 16 m  |
| Illuminator            |  |
| Supplement Light Type  | White Light  |
| Supplement Light Range | Up to 40 m   |
| Smart Supplement Light | Yes  |
| Video                  |  |
| Main Stream            | 50 Hz:<br>25 fps (3840 × 2160, 3200 × 1800, 2688 × 1520, 1920 × 1080, 1280 × 720)<br>60 Hz:<br>24 fps (3840 × 2160)<br>30 fps (3200 × 1800, 2688 × 1520, 1920 × 1080, 1280 × 720)                                    |
| Sub-Stream             | 50 Hz: 25 fps (1280 × 720, 640 × 480, 640 × 360)<br>60 Hz: 30 fps (1280 × 720, 640 × 480, 640 × 360)   |
| Third Stream           | 50 Hz: 10 fps (1920 × 1080, 1280 × 720, 640 × 480, 640 × 360)<br>60 Hz: 10 fps (1920 × 1080, 1280 × 720, 640 × 480, 640 × 360)<br>*Third stream is supported under certain settings.                                 |
| Fourth Stream          | 50 Hz: 10 fps (1280 × 720, 640 × 480, 640 × 360)<br>60 Hz: 10 fps (1280 × 720, 640 × 480, 640 × 360)<br>*Fourth stream is supported under certain settings.  |
| Video Compression      | Main stream: H.265/H.264/H.264+/H.265+,<br>Sub-stream: H.265/H.264/MJPEG,<br>Third stream: H.265/H.264,<br>Fourth stream: H.265/H.264/MJPEG,<br>Third stream and fourth stream are supported under certain settings. |
| Video Bit Rate         | 32 Kbps to 16 Mbps   |
| H.264 Type             | Baseline Profile, Main Profile, High Profile   |
| H.265 Type             | Main Profile   |

|                             |  |
|-----------------------------|--|
| Bit Rate Control            | CBR,VBR  |
| Scalable Video Coding (SVC) | H.264 and H.265 encoding   |
| Region of Interest (ROI)    | 5 fixed regions for main stream and sub-stream   |
| Target Cropping             | Yes  |
| <b>Audio</b>                |  |
| Audio Type                  | Mono sound   |
| Audio Compression           | G.711ulaw/G.711alaw/G.722.1/G.726/MP2L2/PCM/MP3/AAC-LC   |
| Audio Bit Rate              | 64 Kbps (G.711ulaw/G.711alaw)/16 Kbps (G.722.1)/16 Kbps (G.726)/32 to 192 Kbps (MP2L2)/8 to 320 Kbps (MP3)/16 to 64 Kbps (AAC-LC)  |
| Audio Sampling Rate         | 8 kHz/16 kHz/32 kHz/44.1 kHz/48 kHz  |
| Environment Noise Filtering | Yes  |
| <b>Network</b>              |  |
| Protocols                   | TCP/IP, ICMP, HTTP, HTTPS, FTP, DHCP, DNS, DDNS, RTP, RTSP, NTP, UPnP, SMTP, IGMP, 802.1X, QoS, IPv4, IPv6, UDP, Bonjour, SSL/TLS, PPPoE, ARP, SNMP, ISUP, SFTP, SRTP, WebSocket, WebSockets   |
| Simultaneous Live View      | Up to 6 channels   |
| API                         | Open Network Video Interface (Profile S, Profile G, Profile T),ISAPI,SDK,ISUP  |
| User/Host                   | Up to 32 users<br>3 user levels: administrator, operator, and user   |
| Security                    | Password protection, complicated password, HTTPS encryption, 802.1X authentication (EAP-TLS, EAP-LEAP, EAP-MD5), watermark, IP address filter, basic and digest authentication for HTTP/HTTPS, WSSE and digest authentication for Open Network Video Interface, RTP/RTSP over HTTPS, control timeout settings, security audit log, TLS 1.2, TLS 1.3, host authentication (MAC address) |
| Network Storage             | NAS (NFS, SMB/CIFS),Auto Network Replenishment (ANR), Together with high-end Hikvision memory card, memory card encryption and health detection are supported.   |
| Client                      | iVMS-4200,Hik-Connect,Hik-Central  |
| Web Browser                 | Plug-in required live view: IE 10, IE 11,<br>Plug-in free live view: Chrome 57.0+, Firefox 52.0+, Edge 89+,<br>Local service: Chrome 57.0+, Firefox 52.0+, Edge 89+  |
| <b>Image</b>                |  |
| Image Parameters Switch     | Yes  |
| Image Settings              | Rotate mode,saturation,brightness,contrast,sharpness,gain,white balance,adjustable by client software or web browser   |
| Day/Night Switch            | Day,Night,Auto,Schedule  |
| Wide Dynamic Range (WDR)    | 130 dB   |
| SNR                         | ≥ 52 dB  |
| Image Enhancement           | BLC,HLC,3D DNR   |
| Privacy Mask                | 4 programmable polygon privacy masks   |
| <b>Interface</b>            |  |
| Ethernet Interface          | 1 RJ45 10 M/100 M self-adaptive Ethernet port  |
| On-Board Storage            | Built-in memory card slot, support microSD/microSDHC/microSDXC card, up to 512 GB  |
| Built-in Microphone         | Yes  |

|                                  |   |
|----------------------------------|---|
| Audio                            | 1 input (line in), two-core terminal block, max. input amplitude: 3.3 Vpp, input impedance: 4.7 K $\Omega$ , interface type: non-equilibrium,<br>1 output (line out), two-core terminal block, max. output amplitude: 3.3 Vpp, output impedance: 100 $\Omega$ , interface type: non-equilibrium   |
| Alarm                            | 1 input, 1 output (max. 24 VDC/24 VAC, 1 A)   |
| Reset Key                        | Yes   |
| Power Output                     | 12 VDC, max. 100 mA   |
| <b>Event</b>                     |   |
| Basic Event                      | Motion detection (support alarm triggering by specified target types (human and vehicle)),video tampering alarm,exception   |
| Smart Event                      | Unattended baggage detection,object removal detection, scene change detection,audio exception detection   |
| Linkage                          | Upload to FTP/NAS/memory card,notify surveillance center,send email,trigger alarm output,trigger recording,trigger capture,audible warning,supplement light   |
| <b>Deep Learning Function</b>    |   |
| Face Capture                     | Yes   |
| Perimeter Protection             | Line crossing, intrusion, region entrance, region exiting<br>Support alarm triggering by specified target types (human and vehicle)   |
| <b>General</b>                   |   |
| Power                            | 12 VDC $\pm$ 25%, 0.9 A, max. 10.8 W, $\varnothing$ 5.5 mm coaxial power plug,reverse polarity protection,<br>PoE: IEEE 802.3af, class 3, max. 12.9 W   |
| Material                         | Metal   |
| Package Dimension                | 227 mm $\times$ 198 mm $\times$ 220 mm (8.9" $\times$ 7.8" $\times$ 8.7")   |
| Dimension                        | $\varnothing$ 155 mm $\times$ 152 mm ( $\varnothing$ 6.1" $\times$ 6.0")  |
| Weight                           | Approx. 1530 g (3.4 lb.)  |
| With Package Weight              | Approx. 2150 g (4.7 lb.)  |
| Storage Conditions               | -30 $^{\circ}$ C to 60 $^{\circ}$ C (-22 $^{\circ}$ F to 140 $^{\circ}$ F). Humidity 95% or less (non-condensing)   |
| Startup and Operating Conditions | -30 $^{\circ}$ C to 60 $^{\circ}$ C (-22 $^{\circ}$ F to 140 $^{\circ}$ F). Humidity 95% or less (non-condensing)   |
| General Function                 | Heartbeat,anti-banding,mirror,flash log,password reset via email,pixel counter  |
| Language                         | 33 languages: English, Russian, Estonian, Bulgarian, Hungarian, Greek, German, Italian, Czech, Slovak, French, Polish, Dutch, Portuguese, Spanish, Romanian, Danish, Swedish, Norwegian, Finnish, Croatian, Slovenian, Serbian, Turkish, Korean, Traditional Chinese, Thai, Vietnamese, Japanese, Latvian, Lithuanian, Portuguese (Brazil), Ukrainian |
| <b>Approval</b>                  |   |
| EMC                              | FCC: 47 CFR Part 15, Subpart B,<br>CE-EMC: EN 55032: 2015, EN 61000-3-2:2019, EN 61000-3-3: 2013+A1:2019, EN 50130-4: 2011 +A1: 2014,<br>RCM: AS/NZS CISPR 32: 2015,<br>IC: ICES-003: Issue 7,<br>KC: KN32: 2015, KN35: 2015  |
| Safety                           | UL: UL 62368-1,<br>CB: IEC 62368-1: 2014+A11,<br>CE-LVD: EN 62368-1: 2014/A11: 2017,<br>LOA: IEC/EN 60950-1   |

|             |  |
|-------------|--|
| Environment | CE-RoHS: 2011/65/EU,<br>WEEE: 2012/19/EU,<br>Reach: Regulation (EC) No 1907/2006 |
| Protection  | IP67: IEC 60529-2013,IK10: IEC 62262:2002  |

▪ **Typical Application**

Hikvision products are classified into three levels according to their anti-corrosion performance. Refer to the following description to choose for your using environment.

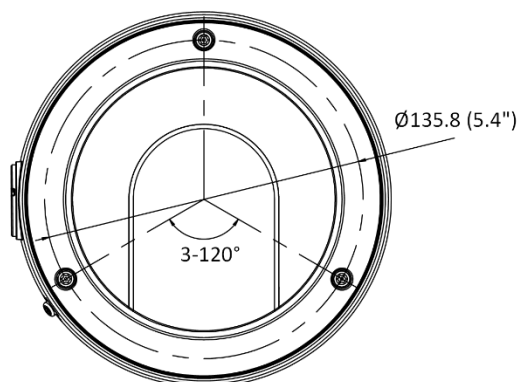
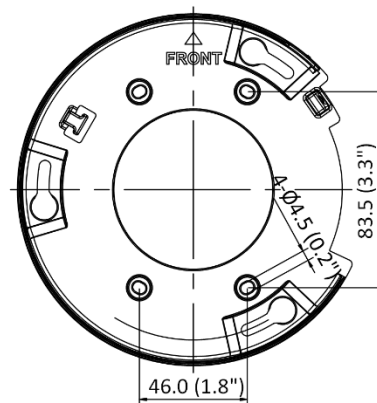
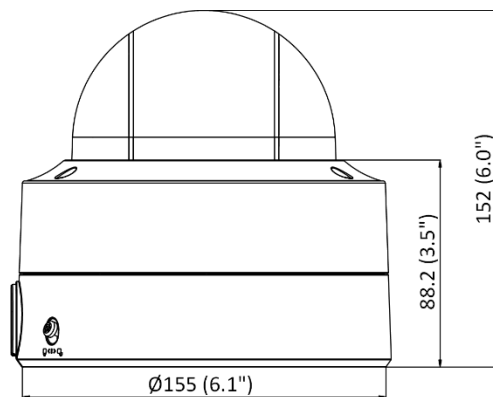
This model has NO SPECIFIC PROTECTION.

| Level                  | Description  |
|------------------------|--|
| Top-level protection   | Hikvision products at this level are equipped for use in areas where professional anti-corrosion protection is a must. Typical application scenarios include coastlines, docks, chemical plants, and more.   |
| Moderate protection    | Hikvision products at this level are equipped for use in areas with moderate anti-corrosion demands. Typical application scenarios include coastal areas about 2 kilometers (1.24 miles) away from coastlines, as well as areas affected by acid rain. |
| No specific protection | Hikvision products at this level are equipped for use in areas where no specific anti-corrosion protection is needed.  |

▪ **Available Model**

DS-2CD3787G2T-LZSU(2.8-12mm)(C)

▪ **Dimension**



Unit: mm (inch)

▪ **Accessory**

▪ **Optional**

| DS-1473ZJ-155<br>Wall mount   | DS-1471ZJ-155<br>Pendant Mount  | DS-1475ZJ-SUS<br>Vertical pole mount  | DS-1275ZJ-SUS<br>Vertical pole mount  | DS-1476ZJ-SUS<br>Corner mount   |
|---|---|---|---|---|
|  |  |  |  |  |
| DS-1276ZJ-SUS<br>Corner mount   | DS-1473ZJ-155B<br>Wall mount  |   |   |   |
|  |  |   |   |   |

**Headquarters**

No.555 Qianmo Road, Binjiang District,  
Hangzhou 310051, China  
T +86-571-8807-5998  
www.hikvision.com



Follow us on social media to get the latest product and solution information.

