

WV-S61302-Z4

2MP (1080p) 40x Indoor PTZ Network Camera

S series PTZ camera with AI



- 2MP (1080p) 1920x1080
- 40x optical zoom
- Intelligent Auto (with AI Engine)
- Super Dynamic 144dB
- Color night vision (0.001 to 0.015 lx)
- Durable Pan/Tilt gear mechanism
- Built-in FIPS 140-2 Level 3 Certified Secure Element
(EdgeLock® SE050F NXP® Semiconductors)
- NDAA Compliant



SPECIFICATIONS

| Camera | |
|---|--|
| Image Sensor | Approx. 1/2.8 type CMOS image sensor |
| Minimum Illumination | Color : 0.015 lx (50IRE, F1.6, 1/30s) Color : 0.001 lx (50IRE, F1.6, 16/30s) BW : 0.006 lx (50IRE, F1.6, 1/30s) BW : 0.0004 lx (50IRE, F1.6, 16/30s) |
| White Balance | ATW1 / ATW2 / AWC |
| Shutter Speed | [60 fps Mode] 1/60 Fix to 1/10000 Fix, [30 fps/15 fps mode] 1/30 Fix to 1/10000 Fix [50 fps Mode] 1/50 Fix to 1/10000 Fix, [25 fps/12.5 fps mode] 1/25 Fix to 1/10000 Fix |
| Intelligent Auto | On / Off |
| Super Dynamic | On / Off, the level can be set in the range of 0 to 31. |
| Dynamic Range | Max.144 dB (Super Dynamic : On, Level 31) |
| Adaptive Black Stretch | The level can be set in the range of 0 to 255. |
| Back light compensation / High light compensation | BLC (Back light compensation) / HLC (High light compensation) / Off The level can be set in the range of 0 to 31 (only when Super dynamic / Intelligent Auto : Off) |
| Fog compensation | On / Off, The level can be set in the range of 0 to 8 (only when Intelligent auto / auto contrast adjust : Off) |
| Maximum gain (AGC) | The level can be set in the range of 0 to 11. |
| Color/BW (ICR) | Off / On / Auto1 / Auto2 / Auto3 (SCC) |
| Digital Noise Reduction | The level can be set in the range of 0 to 255. |
| Video Motion Detection (VMD) | On / Off, 4 areas available |
| Scene Change Detection (SCD) | On / Off, 1 areas available |
| Audio Detection | On / Off |
| AI Sound Classification | Gunshot, Yell, Vehicle horn, Glass break |
| AI Analytics | Yes |
| Privacy Zone | On / Off, Up to 32 zones available |
| VIQS | On / Off, Up to 8 zones available |
| Image Stabilizer | On / Off (available only in the 30 fps mode) |
| Camera Title (OSD) | On / Off, Up to 40 characters (alphanumeric characters, marks) |
| Focus Adjustment | Auto focus |
| Lens | |
| Optical zoom | 40x (Motorized zoom / Motorized Focus) |
| Extra zoom | Max. 60x (40 to 60x : When resolution is 1280 x 720) |
| Focal Length | 4.25 - 170 mm {5/32 inches - 6-11/16 inches} |
| Angular Field of View | [16 : 9 mode] Horizontal : 1.9° (TELE) - 66° (WIDE), Vertical : 1.1° (TELE) - 39° (WIDE) [4 : 3 mode] Horizontal : 1.4° (TELE) - 51° (WIDE), Vertical : 1.1° (TELE) - 39° (WIDE) |
| Maximum Aperture Ratio | 1 : 1.6 (WIDE) - 1 : 4.5 (TELE) |

| | |
|-------------|--------------------------|
| Focus Range | 3 m {118-1/8 inches} – ∞ |
|-------------|--------------------------|

DORI

| | |
|----------------------------|--|
| Detect (25ppm / 8ppf) | Wide: 60.3m / 197.8 ft, Tele: 2095.2 m / 6873.9 ft |
| Observe (62.5ppm / 19ppf) | Wide: 24.1 m / 79.1 ft, Tele: 838.1 m / 2749.5 ft |
| Recognize (125ppm / 38ppf) | Wide: 12.1 m / 39.6 ft, Tele: 419.0 m / 1374.8 ft |
| Identify (250ppm / 76ppf) | Wide: 6.0m / 19.8 ft, Tele: 209.5 m / 687.4 ft |

System on Chip (SoC)

| | |
|----------------------|-----------------|
| System on Chip (SoC) | Ambarella CV25M |
|----------------------|-----------------|

Adjusting Angle

| | |
|-----------------|--|
| Adjusting Angle | Horizontal : 360° Endless Panning, Vertical : -25 to +205°, Yaw : 0° |
|-----------------|--|

Pan/tilt

| | |
|------------------|--|
| Panning Range | 360° Endless Panning |
| Panning Speed | Manual: Approx. 0.065°/s – 150°/s Preset: Up to approx. 500°/s |
| Tilting Range | Operational -25 – +205° |
| Tilting Speed | Manual: Approx. 0.065°/s –150°/s Preset: Up to approx. 350°/s |
| Preset Positions | 256 positions |
| Auto Mode | Auto track/ Auto pan/ Preset sequence/ Patrol |
| Self Return | 10 s/ 20 s/ 30 s/ 1 min/ 2 min/ 3 min/ 5 min/ 10 min/ 20 min/ 30 min/ 60 min |

Browser GUI

| | |
|---------------------------|--|
| Camera Control | Brightness, AUX On / Off |
| Audio | Mic (Line) Input : On / Off Volume adjustment : Low / Middle / High Audio Output : On / Off Volume adjustment : Low / Middle / High |
| GUI / Setup Menu Language | English, Italian, French, German, Spanish, Portuguese, Russian, Chinese, Japanese |
| Browser | Microsoft Edge, Firefox, Google Chrome |

Network

| | |
|--------------------------------------|--|
| Network IF | 10 Base-T / 100 Base-TX, RJ45 connector |
| Resolution H.265/ H.264 JPEG (MJPEG) | [16 : 9 mode (60 fps mode)]*2 , [16 : 9 mode (30 fps mode)], [16 : 9 mode (50 fps mode)] , [16 : 9 mode (25 fps mode)] 1920x1080, 1280x720, 640x360, 320x180 [4 : 3 mode (30 fps mode)], [4 : 3 mode (25 fps mode)] 1280x960, VGA, QVGA [4 : 3 mode (15 fps mode)], [4 : 3 mode (12.5 fps mode)] 2048x1536*4 , 1280x960, VGA, QVGA |
| H.265/H.264 | [Transmission Mode] Constant bit rate / VBR / Frame rate / Best effort [Transmission Type] Unicast port (AUTO) / Unicast port (MANUAL) / Multicast |
| JPEG | [Image Quality] 10 steps |
| Smart Coding | GOP (Group of pictures) control: Off/ Low (Variable GOP 1s-8s)/ Mid (Variable GOP 4s-16s) / Advanced(Fixed GOP 60s w/1s key-frame) / Frame rate control (Variable GOP 4s-16s with frame rate control) *Advanced and Frame rate control are only available with H.265. Smart VIQS: On(High)/On(Low)/Off, Smart P-picture control: On/Off |
| Audio Compression | G.726 (ADPCM) : 16 kbps / 32 kbps G.711 : 64 kbps AAC-LC : 64 kbps / 96 kbps / 128 kbps |
| Audio Transmission Mode | Off / Mic (Line) input / Audio output / Interactive (Half duplex) / Interactive (Full duplex) |

| | |
|-----------------------------------|--|
| Supported Protocol | IPv6 : TCP/IP, UDP/IP, HTTP, HTTPS, SSL/TLS, SMTP, DNS, NTP, SNMPv1/v2/v3, DHCPv6, RTP, MLD, ICMP, ARP, IEEE 802.1X, DiffServ, SFTP, MQTT, LLDP IPv4 : TCP/IP, UDP/IP, HTTP, HTTPS, SSL/TLS, RTSP, RTP, RTP/RTCP, SMTP, DHCP, DNS, DDNS, NTP, SNMPv1/v2/v3, UPnP, IGMP, ICMP, ARP, IEEE 802.1X, DiffServ, SRTP, SFTP, MQTT, LLDP, NTCI |
| No. of Simultaneous Users | Up to 14 users (Depends on network conditions) |
| Secure | FIPS 140-2 level 3 Certified Secure Element (NXP® EdgeLock® SE050F), Device Certificate GlobalSign® pre-installed, User authentication, Host authentication, HTTPS, 802.1X Support, Data encryption |
| SDXC/SDHC/SD Memory Card (Option) | H.265 / H.264 recording : Manual REC / Alarm REC (Pre/Post) / Schedule REC / Backup upon network failure JPEG recording : Manual REC / Alarm REC (Pre/Post) / Backup upon network failure Compatible SDXC/SDHC/SD Memory Card : microSDXC memory card : 64 GB, 128 GB, 256 GB, 512 GB microSDHC memory card : 4 GB, 8 GB, 16 GB, 32 GB microSD memory card : 2 GB |
| Mobile Terminal Compatibility | iPad, iPhone (iOS 8.0 or later), Android™ terminals |
| ONVIF® Profile | G / M / S / T |

Alarm

| | |
|---------------|---|
| Alarm Source | 3 terminals input, VMD alarm, Command alarm, Audio detection alarm |
| Alarm Actions | SDXC/SDHC/SD memory recording, E-mail notification, HTTP alarm notification Indication on browser, TCP alarm notification output |

Input/Output

| | |
|------------------------|---|
| Audio Input | ø3.5 mm stereo mini jack For microphone input : Recommended applicable microphone : Plug-in power type (Sensitivity of microphone : -51 dB to -38 dB (0 dB=1 V/Pa, 1 kHz)) Input impedance : Approx. 2 kΩ (unbalanced) Supply voltage : 2.5 V ±0.5 V For line input : Input level : Approx. -10 dBV |
| Audio Output | ø3.5 mm stereo mini jack (monaural output) Output impedance : Approx. 600 Ω (unbalanced) Output level : -20 dBV |
| External I/O Terminals | ALARM IN 1 (Alarm input 1/ Black & white input/ Auto time adjustment input) (x1) ALARM IN 2 (Alarm input 2/ ALARM OUT) (x1), ALARM IN 3 (Alarm input 3/ AUX OUT) (x1) |

General

| | |
|------------------------------------|--|
| Safety | UL (UL62368-1), c-UL (CSA C22.2 No.62368-1), CE, IEC62368-1 |
| EMC | FCC (Part15 ClassA), ICES-003 Issue 7 ClassA, EN55032 ClassA, EN55035 |
| Power Source and Power Consumption | DC12 V, PoE (IEEE802.3af) DC12 V: 970 mA / Approx. 11.6 W PoE DC 48 V: 270 mA / Approx.12.95 W (Class 0device) |
| Ambient Operating Temperature | -10 °C to +50 °C (+14 °F to +122 °F) (Power On range : 0 °C to +50 °C {+32 °F to +122 °F}) |
| Ambient Operating Humidity | 10 to 90 % (no condensation) |
| Anti-Condensation System | — |
| Dimensions | ø185 mm x 214 mm (H) {ø7-9/32 inches x 8-7/16 inches (H)} |
| Mass (Approx.) | Approx. 1.8 kg {3.97 lbs.} |
| Finish | Main body : Resin, i-PRO white |

AI Analytics applications

| | |
|------------------------------------|-----|
| AI Video Motion Detection (AI-VMD) | YES |
| AI Privacy Guard | YES |
| AI Face Detection | YES |
| AI People Detection | YES |

| | |
|------------------------|-----|
| AI Vehicle Detection | YES |
| AI Non mask Detection | YES |
| AI Occupancy Detection | YES |

NOTES

Important

- Safety Precautions : Carefully read the Basic Information, Installation Guide and Operating Instructions before using this product.
- i-PRO Co., Ltd. cannot be held responsible for the performance of the network and/or other manufacturers' products used on the network.
- Masses and dimensions are approximate. Specifications are subject to change without notice.

Trademarks and registered trademarks

- iPad and iPhone are trademarks of Apple Inc., registered in the U.S. and other countries. - Android is a trademark of Google LLC.
- ONVIF is a trademark of ONVIF, Inc.
- All other trademarks identified herein are the property of their respective owners

©i-PRO Co., Ltd All rights reserved / February 2023

OPTIONAL ACCESSORIES

Select a compatible accessory

[Accessory Selector \(i-pro.com\)](http://i-pro.com).



WV-QDC100G-W
Dome Cover



WV-QDC100C-W
Dome Cover



WV-QWL100-W
Wall Mount Bracket



WV-QPL500-W
Mount Bracket



WV-QCN500-W
Mount Bracket



WV-QCL101-W
Mount Bracket



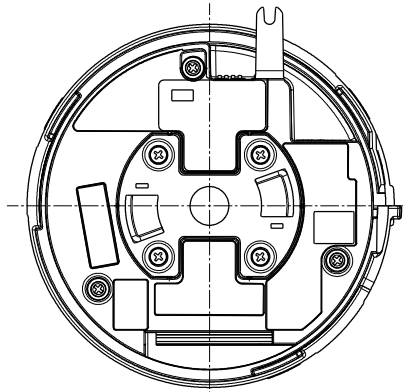
WV-QCL100-W
Mount Bracket



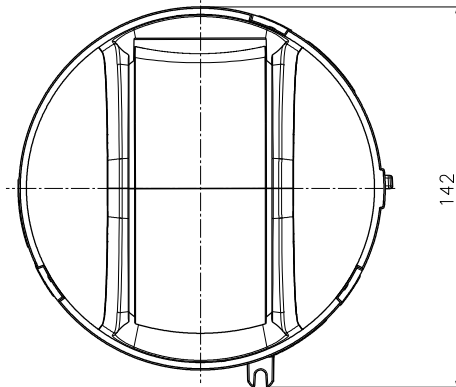
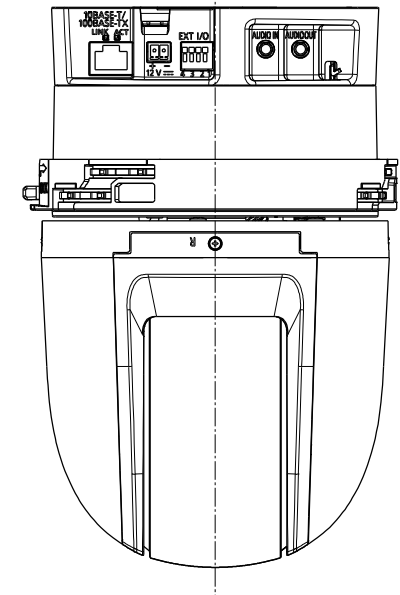
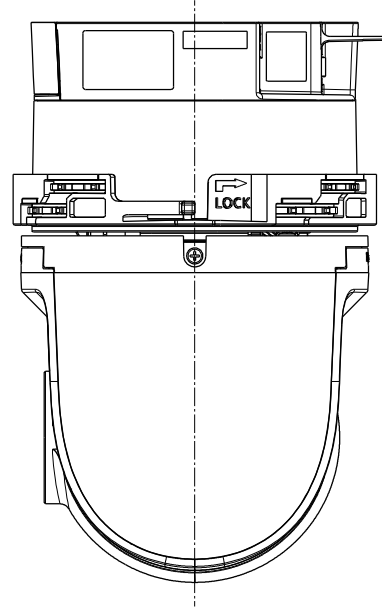
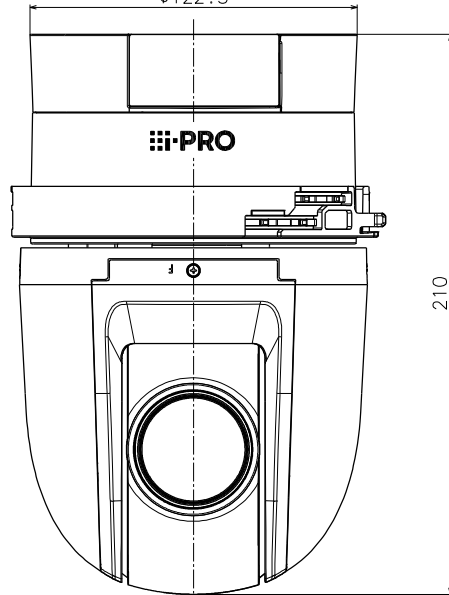
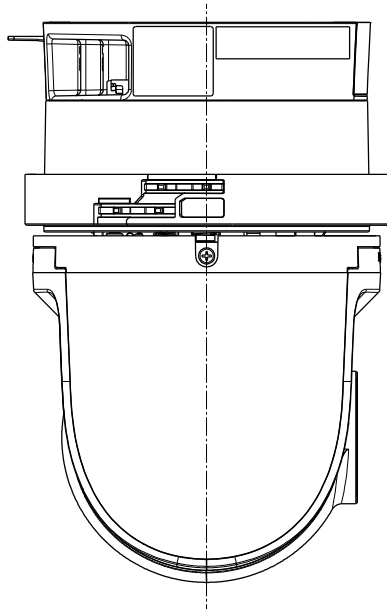
WV-QEM101-W
Ceiling Mount Bracket



WV-Q105A
Mount Bracket



Ø122.5



| |
|---------------|
| Model number |
| WV-S61302-Z4 |
| WV-S61302-Z4J |
| WV-S61302-Z4X |

Mass : Approx. 1.5 kg {3.31 lbs}