

SC-IPH3002DC

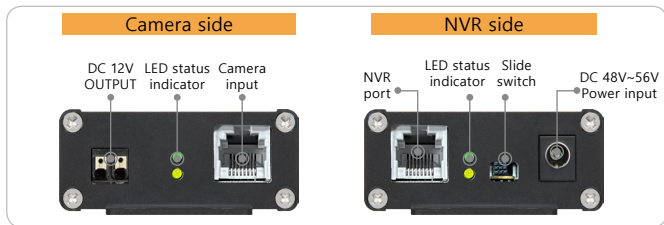
PoE Dual Splitter (Injector & Extender)

SC-IPH3002DC is an all-in-one product that combines PoE injector, extender, and splitter functions into one. It is a product that can be used in accordance with various network construction environments and uses a bandwidth adjustment switch. Ethernet data transmission distance can be extended, and it is a suitable product to save construction costs by supplying power to peripheral devices using DC power output using the PoE splitter function.

Features

- PoE and Ethernet data transmission distance (Max. 100 ~ 250m)
- Ethernet extender function
(Ethernet data transmission distance can be extended)
- Extend the transmission distance by changing the bandwidth switch setting value (100Mbps/10Mbps)
 - Left(100Mbps) : Transmission up to 100m (based on CAT.5e)
 - Right(10Mbps) : Transmission up to 250m (based on CAT.5e)
- PoE injector function (External power input function optional)
- Supports PoE splitter function (DC 12V max. 1A Output)
- Transmission bandwidth (Max.): 10/100Mbps (Full Duplex)
- Auto MDI/MDIX function support
- Built-in surge protection circuit

SC-IPH3002DC Interface



Power transmission distance

Cable	Distance between Tx to Rx(m/km)		100m	250m
	CAT.5e	Bandwidth(TCP)		100Mbps
Loop Resistance(Ω)		9.5Ω	23.75Ω	
Supply power(W)		DC48V(IEEE802.3 af)	~14W	~11W
		DC12V Output	Max. 6W	Max. 6W
	DC56V(IEEE802.3 at)	~20W	~17.6W	
	DC12V Output	Max. 12W	Max. 12W	

※ Transmission distance may vary depending on the installation environment (cable, etc.).

Specifications

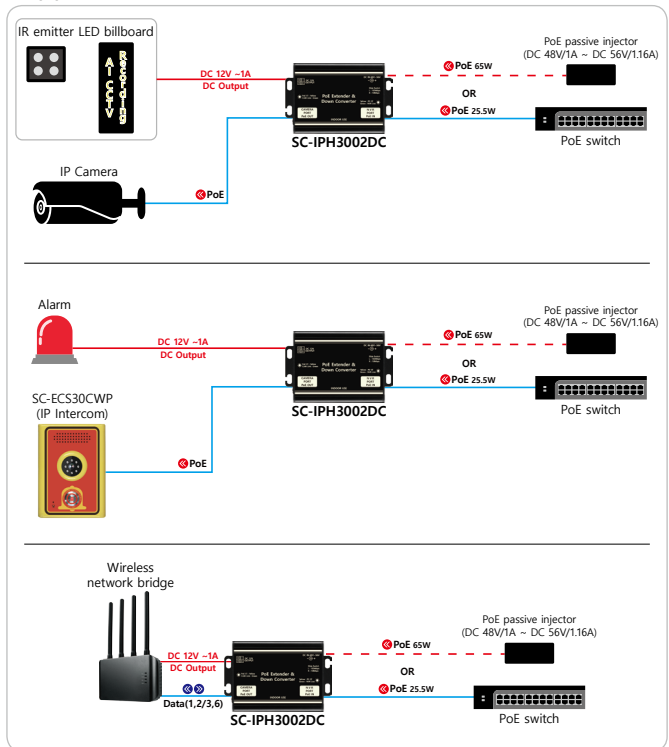
MODEL		SC-IPH3002DC
Power input	DC Power	DC 48V or DC 56V Adaptor
	PoE	PoE IEEE 802.3af / 802.3at, Endspan / Midspan (Mode A / Mode B)
PoE output	EXT Port	Max. 30W, Standard PoE, IEEE802.3 af/at Mode A(Endspan)
	CAM Port	Max. 30W, Standard PoE, IEEE802.3 af/at Mode A(Endspan)
Power consumption		Max. 1W (No-load Condition)
Max. data transmission distance(Slide Switch)	Left(100Mbps)	Max. 100m(CAT.5e)
	Right(10Mbps)	Max. 250m(CAT.5e)
Port	NVR Port	RJ-45 1Port (TIA/EIA568B Type)
	EXT Port	RJ-45 1Port (TIA/EIA568B Type)
	DC Output Port	DC 12V Max. 1A
RJ-45 Connector		1Pin : TX(+), PWR(+), 2Pin : TX(-), PWR(+) 3Pin : RX(+), PWR(-) / 6Pin : RX(-), PWR(-)
LED	NVR Side LED	Yellow: Lights up when PoE power input is successful Green: Lights up when Ethernet Link is successful
	CAM Side LED	Yellow: Lights up when PoE power output is successful Green: Lights up when Ethernet Link is successful
Bandwidth Switch		100Mbps, 10Mbps
BandwidthMax.)		10/100Mbps (Full duplex)
Temperature / Humidity		-10°C ~ +50°C / 0 ~ 80%
Case Body / Weight		Aluminum / 104g
Dimensions(mm)		77(W) x 60(H) x 25(D)

NEW

[SC-IPH3002DC]



Application



Dimensions

