



Network

BOX

XNB-6002

Remote Head Cam & Lens modules



Key Features

Key Features

- Max. 2Megapixel (1920 x 1080) resolution
- H.265, H.264, MJPEG codec support, Multiple streaming
- Max. 60fps@2MP (H.265 / H.264)
- extremeWDR (120dB), Defog, DIS, WiseStreamII
- Tampering, Loitering, Directional detection, Fog detection
- Audio detection, Heatmap, Sound classification
- Queue management, Face detection, People counting
- Motion detection, Handover
- Compatible lens: SLA-T1080FA, SLA-T2480A, SLA-T2480VA, SLA-T4680A, SLA-T4680VA

XNB-6002

Remote Head Cam & Lens modules



Specifications

Video	
Resolution	1920x1080, 1280x1024, 1280x960, 1280x720, 1024x768, 800x600, 800x448, 720x576, 720x480, 640x480, 640x360, 320x240
Max. Framerate	H.265/H.264: 2MP Max. 60fps/50fps(60Hz/50Hz) MJPEG: Max. 30fps/25fps(60Hz/50Hz)
Video Out	CVBS: 1.0 Vp-p / 75Ω composite, 720x480(N), 720x576(P) for installation USB: Micro USB Type B, 1280x720 for installation
Lens	
Optional Lens	SLA-T1080FA, SLA-T2480A, SLA-T2480VA, SLA-T4680A, SLA-T4680VA
Operational	
Camera Title	Displayed up to 85 characters
Day & Night	Auto(Electrical)
Backlight Compensation	BLC, HLC, WDR, SDR
Wide Dynamic Range	extremeWDR(120dB)
Digital Noise Reduction	SSNR V , WiseNR
Digital Image Stabilization	Support
Defog	Support
Motion Detection	8ea, 8point Polygonal zones
Privacy Masking	32ea, 4point Quadrangle zones - Color: Gray, Green, Red, Blue, Black, White - Mosaic
Gain Control	Off / Max Gain / Manual
White Balance	ATW / Narrow ATW / AWC / Manual / Indoor / Outdoor
LDC	Support(Not support for fisheye lens)
Electronic Shutter Speed	Minimum / Maximum / Prefer shutter / Anti flicker(2~1/12,000sec)
Video Rotation	Flip, Mirror, Hallway view(90°/270°)
Analytics	Analytic events - Defocus detection, Motion detection, Tampering, Fog detection, Audio detection, Sound classification, Face detection, Virtual area(Loitering/Intrusion/Enter/Exit/Appear/Disappear), Virtual line(Crossing/Direction)
Business Intelligence	People counting, Queue management, Heatmap
Alarm I/O	Input 1ea / Output 1ea
Alarm Triggers	Analytics, Network disconnect, Alarm input, App event, Time schedule
Alarm Events	When alarm trigger occurred - File upload(image): e-mail/FTP - Notification: e-mail - Recording: SD/SDHC/SDXC or NAS recording at event triggers - Alarm output - Handover: PTZ preset, send message by HTTP/HTTPS/TCP - Audio clip playback
Audio In	Selectable(mic in/line in) Supply voltage: 2.5VDC(4mA), Input impedance: 2K Ohm
Audio Out	Line out, Max.output level: 1Vrms

Network	
Ethernet	RJ-45(10/100BASE-T)
Video Compression	H.265/H.264: Main/Baseline/High, MJPEG
Audio Compression	G.711 u-law / G.726 Selectable G.726(ADPCM) 8KHz, G.711 8KHz G.726: 16Kbps, 24Kbps, 32Kbps, 40Kbps AAC-LC: 48Kbps at 16KHz
Smart Codec	Manual(5ea area), WiseStream II
Bitrate Control	H.264/H.265: CBR or VBR MJPEG: VBR
Streaming	Unicast(20 users) / Multicast Multiple streaming(Up to 10 profiles)
Protocol	IPv4, IPv6, TCP/IP, UDP/IP, RTP(UDP), RTP(TCP), RTCP, RTSP, NTP, HTTP, HTTPS, SSL/TLS, DHCP, FTP, SMTP, ICMP, IGMP, SNMPv1/v2c/v3(MIB-2), ARP, DNS, DDNS, QoS, PIM-SM, UPnP, Bonjour, LLDP, SRTP(TCP, UDP Unicast)
Security	HTTPS(SSL) Login Authentication Digest Login Authentication IP Address Filtering User access log 802.1X Authentication(EAP-TLS, EAP-LEAP, EAP-PEAP MSCHAPv2) Device Certificate(Hanwha Techwin Root CA, pre-installed) Secure by default certificate Secure OS/Boot/Storage, Verify firmware forgery TPM 2.0 with FIPS 140-2 level2
Application Programming Interface	ONVIF Profile S/G/T SUNAPI(HTTP API) Wisenet open platform
General	
Webpage Language	English, Korean, Chinese, French, Italian, Spanish, German, Japanese, Russian, Portuguese, Czech, Polish, Turkish, Dutch, Greek, Hungarian
Edge Storage	Micro SD/SDHC/SDXC 1slot Max. 1TB
Memory	2GB RAM, 512MB Flash
Environmental & Electrical	
Operating Temperature / Humidity	-10°C~+55°C(+14°F~+131°F) / 0~90% RH(non-condensing)
Storage Temperature / Humidity	-30°C~+60°C(-22°F~+140°F) / 0~90% RH
Input Voltage	PoE(IEEE802.3af, Class3), 12VDC
Power Consumption	PoE: Max 10.5W, typical 6.9W 12VDC: Max 8.6W, typical 5.5W Power redundancy failover
Mechanical	
Color / Material	Black / Plastic, Metal
RAL Code	RAL9005
Product Dimensions / Weight	131.1(W)x33.5(H)x86(D)mm(5.16x1.32x3.39") / 420g(0.93lb)
Certifications & Standards	
EMC	FCC 47 CFR 15 Subpart B Class A ICES-3(A)/NMB-3(A) CE/UKCA - EN 55032 Class A, EN 50130-4, EN 61000-3-2, EN 61000-3-3 VCCI CISPR 32 Class A RCM AS/NZS CISPR 32 Class A KS C 9832 Class A, KS C 9835
Safety	UL 62368-1, CAN/CSA C22.2 NO. 62368-1
Environment	IEC/EN 63000

Compatible lenses



Video	SLA-T1080FA	SLA-T2480A	SLA-T2480VA	SLA-T4680A	SLA-T4680VA
Imaging Device	1/2.8" 2MP CMOS	1/2.8" 2MP CMOS	1/2.8" 2MP CMOS	1/2.8" 2MP CMOS	1/2.8" 2MP CMOS
Effective Pixels					
Min. Illumination	Color: 0.03Lux(F1.6, 1/30sec)	Color: 0.045Lux(F2.0, 1/30sec)	Color: 0.045Lux(F2.0, 1/30sec)	Color: 0.06Lux(F2.5, 1/30sec)	Color: 0.06Lux(F2.5, 1/30sec)
Lens	SLA-T1080FA	SLA-T2480A	SLA-T2480VA	SLA-T4680A	SLA-T4680VA
Focal Length (Zoom Ratio)	1.6mm fixed focal	2.4mm fixed focal	2.4mm fixed focal	4.6mm fixed focal	4.6mm fixed focal
Max. Aperture Ratio	F1.6	F2.0	F2.0	F2.5	F2.5
Angular Field of View	H: 187°, V: 113.9°	H: 138°, V: 73°, D: 165°	H: 138°, V: 73°, D: 165°	H: 73°, V: 39°, D: 85°	H: 73°, V: 39°, D: 85°
Lens Type					
Mount Type	RJ12 connected with main unit	RJ12 connected with main unit	RJ12 connected with main unit	RJ12 connected with main unit	RJ12 connected with main unit
Focus Control	fixed	fixed	fixed	fixed	fixed
Pan / Tilt / Rotate	SLA-T1080FA	SLA-T2480A	SLA-T2480VA	SLA-T4680A	SLA-T4680VA
Pan / Tilt / Rotate Range					
Operational	SLA-T1080FA	SLA-T2480A	SLA-T2480VA	SLA-T4680A	SLA-T4680VA
Wide Dynamic Range					
Day & Night					
Mechanical	SLA-T1080FA	SLA-T2480A	SLA-T2480VA	SLA-T4680A	SLA-T4680VA
Color / Material	Black / Metal	Black / Plastic	Black / Plastic, Metal	Black / Plastic	Black / Plastic, Metal
Product dimensions / weight	Ø35xL68.9mm, 430g	Ø24xL49.8mm, 318g	W30xH27.9xD45mm, 328g	Ø24xL49.8mm, 310g	W30xH27.9xD45mm, 321g

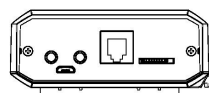
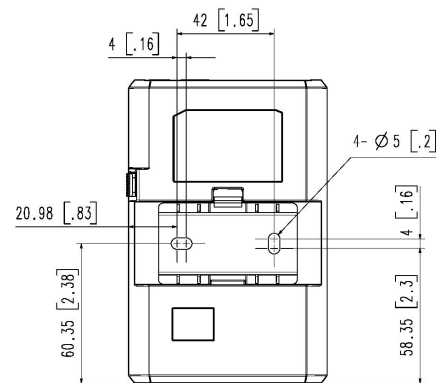
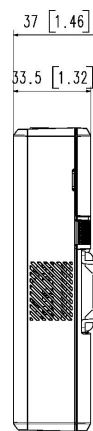
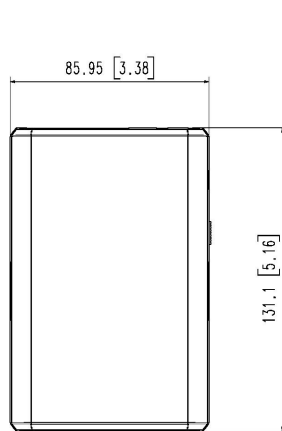
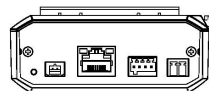
XNB-6002

Remote Head Cam & Lens modules



CAD

Unit:mm [inch]



1	XNB-6002	'22.09.23
No.	MODEL NAME	DATE
Unit:mm[inch] SCALE:1/1 © Hanwha Techwin		

© Hanwha Techwin Co.,Ltd. All rights reserved.