



SBP-215HMW

Hanging Mount



Key Features

- Material : Core : Aluminum / Cap : Plastic
- Dimensions : 226.93(W)x92.5(H)x146.93(D)mm(8.93"x3.64"x5.78")
- Weight : 275g(0.61lb)
- Color : White

SBP-215HMW

Hanging Mount



Specifications

Mechanical

Color	White
Material	Core : Aluminum Cap : Plastic
RAL code	RAL9003
Product dimensions / weight	226.93(W)x92.5(H)x146.93(D)mm(8.93"x3.64"x5.78"), 275g(0.61lb)
Supported products	PNM-C12083RVD/C7083RVD PNM-12082RVD/7082RVD ※ For further compatible models, please visit our website or use Toolbox

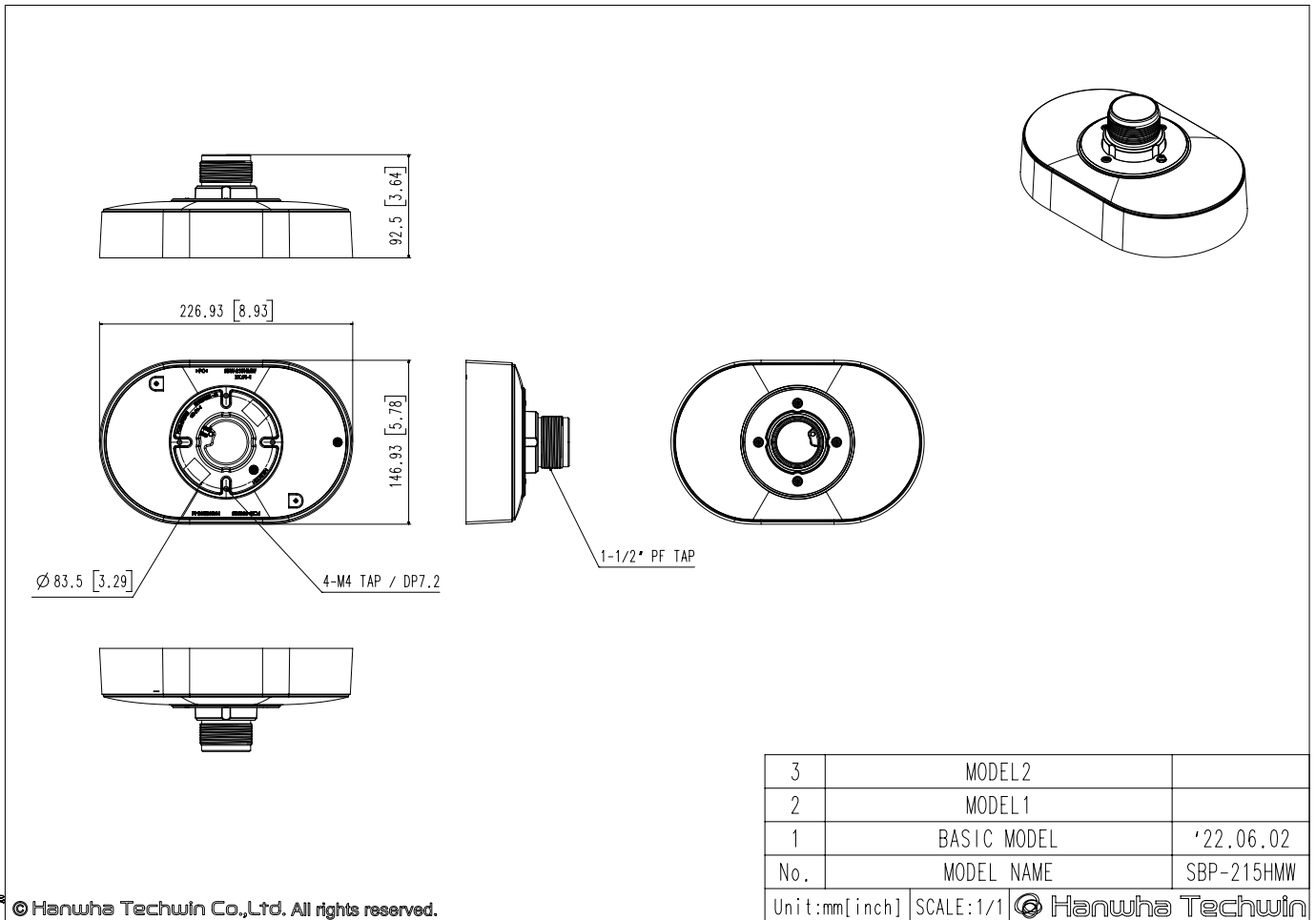
SBP-215HMW

Hanging Mount



CAD

Unit: mm [inch]



© Hanwha Techwin Co.,Ltd. All rights reserved.