



SBL-101C

Remote Head Camera Ceiling Housing

FC |  | CE | ENEC

Key Features

- Material: Polycarbonate(PC)
- Dimensions: 124.3(W)x115(D)x56(H)mm (4.89x4.53x2.2")
- Weight: 90g(0.198lb)
- Color: White

SBL-101C

Remote Head Camera Ceiling Housing



Specifications

Environmental

Operating Temperature / Humidity	-10°C~+45°C(-40°F~+113°F) / Less than 95% RH
Storage Temperature / Humidity	-50°C~+60°C(-58°F~+140°F) / Less than 95% RH

Mechanical

Color	White
Material	Poly Carbonate
RAL code	RAL9003
Product dimensions / weight	124.3(W)x115(D)x56(H)mm (4.89x4.53x2.2"), 90g(0.198lb)
Supported products	SLA-T2480, SLA-T2480A, SLA-T4680, SLA-T4680A

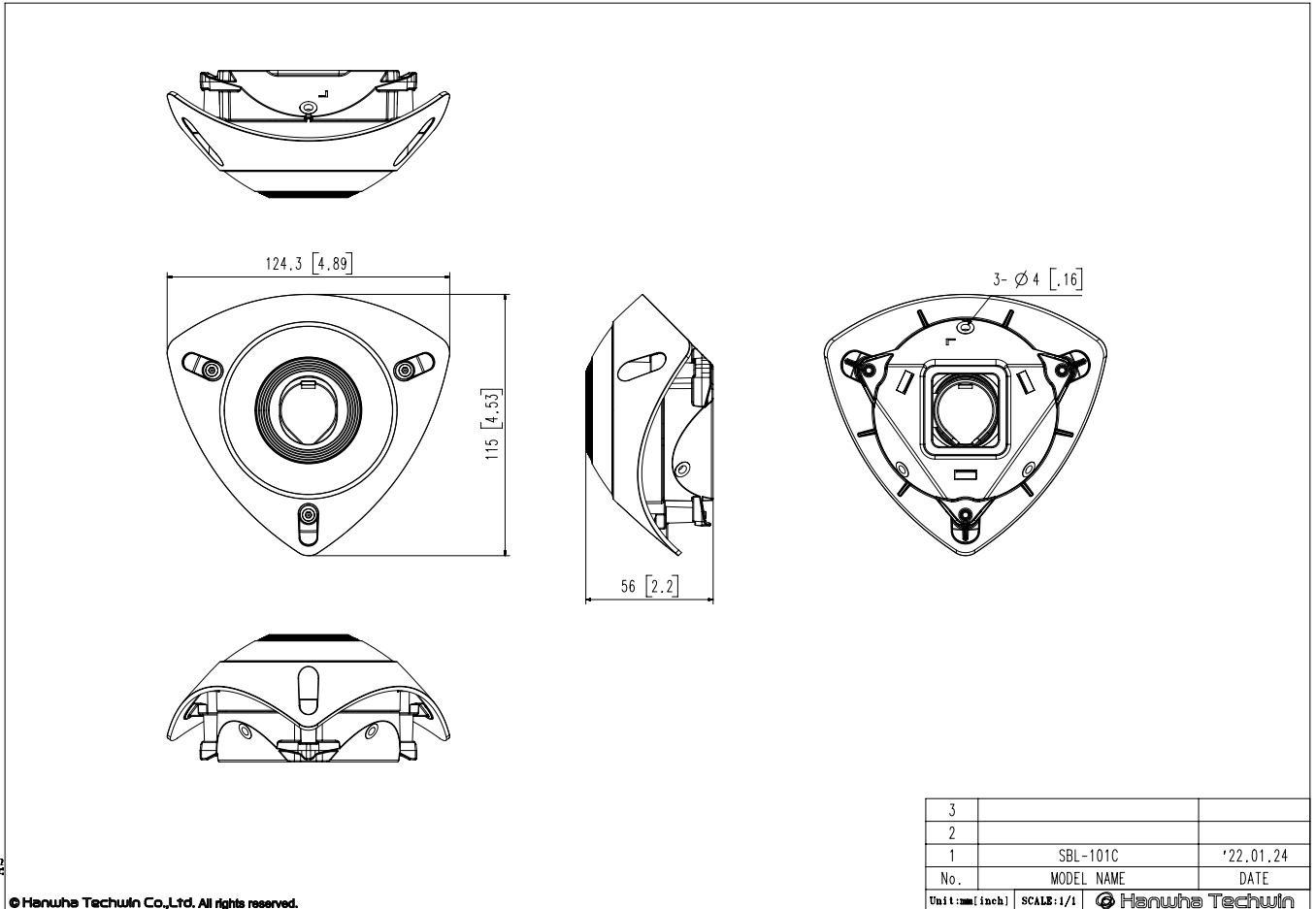
SBL-101C

Remote Head Camera Ceiling Housing



CAD

Unit: mm [inch]



A2

© Hanwha Techwin Co., Ltd. All rights reserved.