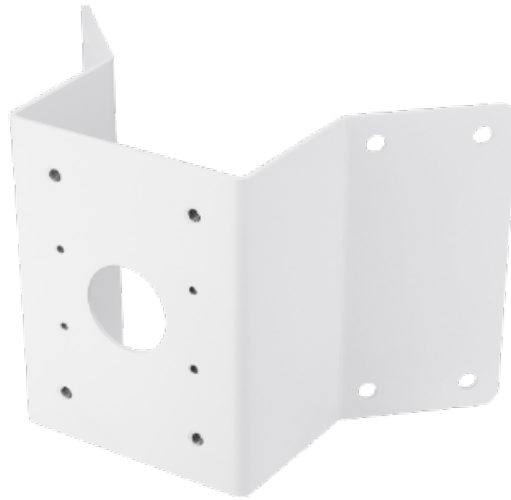


# SBP-300KMW1

Corner Mount



FC |  | CE | EAC

## Key Features

- Material: Aluminum
- Dimensions : 280(W) x 183(D) x 159(H)mm (11" x 7.2" x 6.26")
- Weight : 770g (1.7 lb)
- Color : White
- Supported products : XNV-6120R
- For further compatible models, please check out Wisenet Toolbox Plus

**Environmental**

<b>Operating Temperature / Humidity</b>	-50°C ~ +60°C (-58°F ~ +140°F) / 0 ~ 100% RH
---	--

<b>Storage Temperature / Humidity</b>	-50°C ~ +60°C (-58°F ~ +140°F) / 0 ~ 100% RH
---------------------------------------	--

**Mechanical**

<b>Color</b>	White
--------------	-------

<b>Material</b>	Aluminum
-----------------	----------

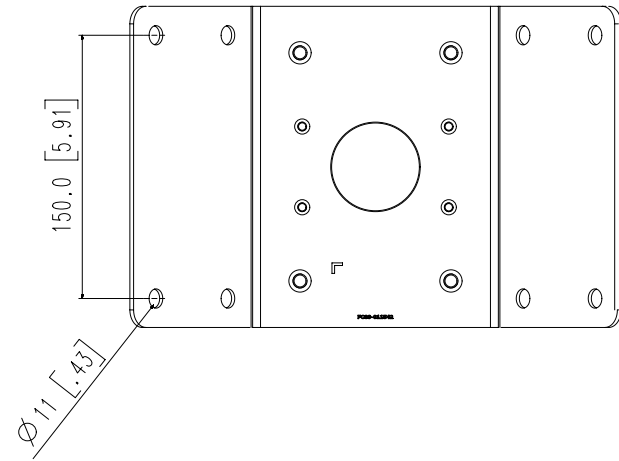
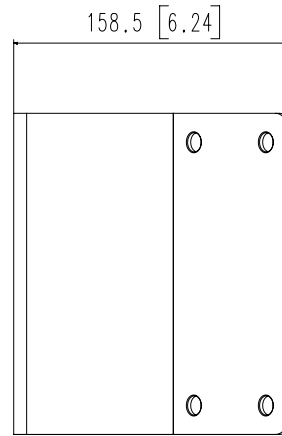
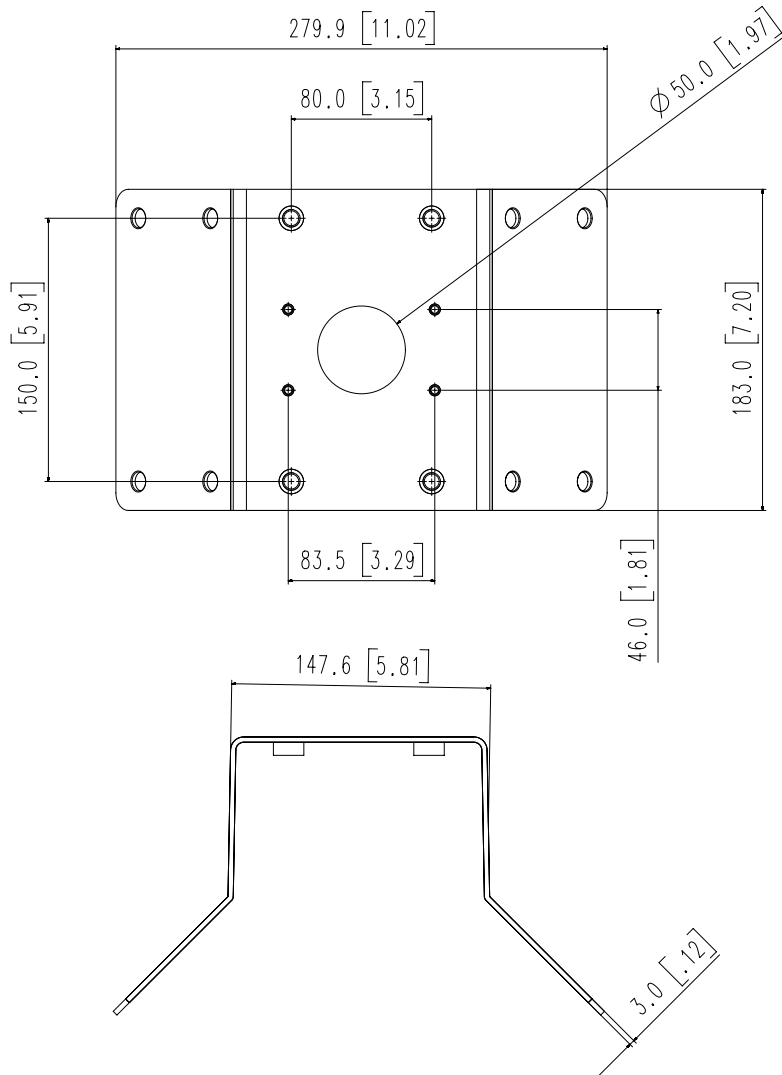
<b>RAL code</b>	RAL9003
-----------------	---------

<b>Product dimensions / weight</b>	280(W)x183(D)x159(H)mm, 770g
------------------------------------	------------------------------

<b>Mount Screw size</b>	M10
-------------------------	-----

<b>Supported products</b>	QND-6012R ※ For further compatible models, please visit our website or use Toolbox
---------------------------	---

- The latest product information / specification can be found at [hanwha-security.com](http://hanwha-security.com)
- Design and specifications are subject to change without notice.
- Wisenet is the proprietary brand of Hanwha Techwin, formerly known as Samsung Techwin.



1	SBP-156KMW	20.06.18
No.	MODEL NAME	DATE
Unit:mm[inch]		SCALE:1/1
© Hanwha Techwin		