

SBV-160BW

Back Box



FC |  | CE | ENEC

Key Features

- Color : White
- Material : Aluminum
- Dimension : Ø162.8 x 40.0mm (6.41" x 1.57")
- Weight : 360g (0.79 lb)
- Operation Temp. : -50°C ~ +60°C (-58°F ~ +140°F)
- Operation Hum. : 0~100%RH
- Compatible models: PND-A9081RV, XND-6081REV, XND-6081RV, XND-6081V, XND-6081VZ, XND-8081REV, XND-8081RV, XND-8081VZ, XND-8082RV, XND-9082RV, XNF-9010RV, XNR-9010RVM

Environmental

Operating Temperature / Humidity	-50°C ~ +60°C (-58°F ~ +140°F) / Less than 100% RH
---	--

Storage Temperature / Humidity	-50°C ~ +60°C (-58°F ~ +140°F) / Less than 100% RH
---------------------------------------	--

Mechanical

Color	White
--------------	-------

Material	Aluminum
-----------------	----------

RAL code	RAL9003
-----------------	---------

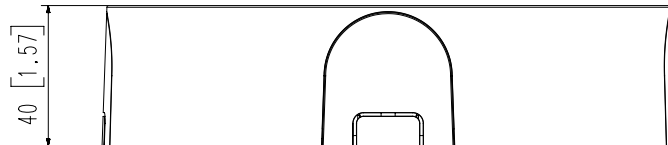
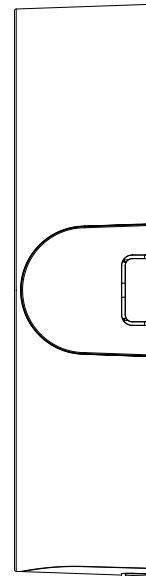
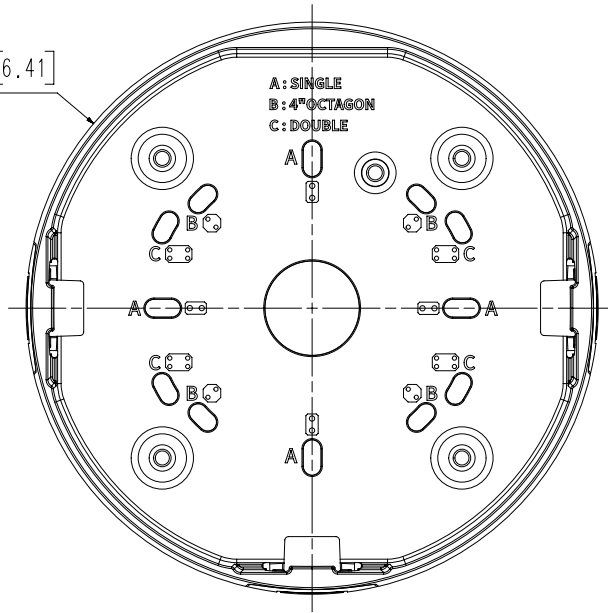
Product dimensions / weight	Ø162.8x40.0mm(6.41x1.57"), 360g(0.79 lb)
------------------------------------	--

Conduit hole	19.1mm(3/4") (M25)
---------------------	--------------------

Supported products	XND-9082RV/PND-A9081RV ※ For further compatible models, please visit our website or use Toolbox
---------------------------	--

- The latest product information / specification can be found at hanwha-security.com
- Design and specifications are subject to change without notice.
- Wisenet is the proprietary brand of Hanwha Techwin, formerly known as Samsung Techwin.

Ø 162.79 [6.41]



A2

© Hanwha Techwin Co., Ltd. All rights reserved.

3	파생 MODEL2	
2	파생 MODEL1	
1	SBV-160BW	'21.02.17
No.	MODEL NAME	DATE
Unit:mm[inch] SCALE:1/1		Hanwha Techwin