

SC-HOC01S

HD-SDI Fiber Optic Transmission

SC-HOC01S(Tx:SC-HOT01S + Rx:SC-HOR01S) is a fiber optic converter kit that can transmit HD/EX-SDI signals over long distances without signal loss. It supports Full HD 1.5G/3G and EX-SDI 1.0 input signals. It comes in a small size for the convenience of carriage & easy installation.



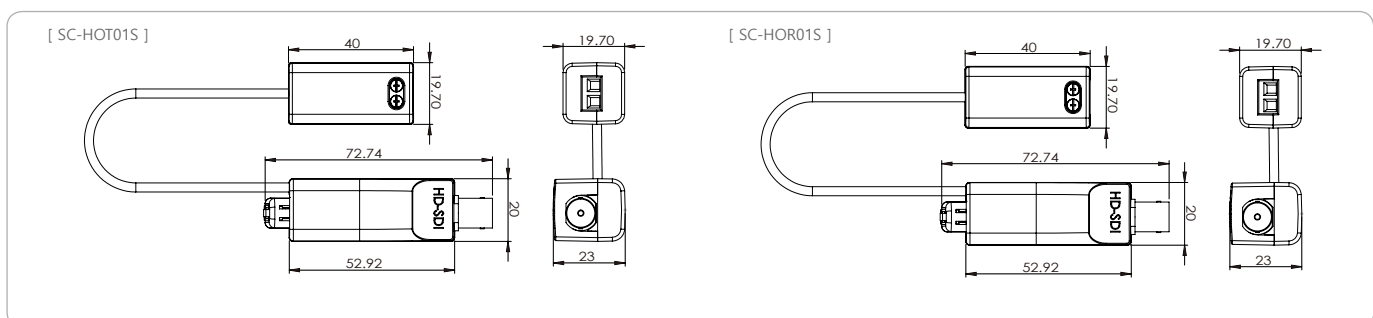
Features

- HD/EX-SDI long distance transmission over fiber optic cable
 - 1) Single mode - 20Km (G.657.B3)
 - 2) Multi mode - 1Km (MM50 / 125um OM3, Full HD 1.5G)
- Various input signals (Full HD 1.5G, Full HD 3G, EX-SDI 1.0)
- LC connector
- Compact and ultra-light case for easy installation
- Dual input voltage : DC12V, AC24V

Specification

MODEL		SC-HOT01S	SC-HOR01S
Input		HD/EX-SDI	Optical
Output		Optical	HD/EX-SDI
Power Input		DC12V / AC24V	
Power Consumption		DC12V 104mA / AC24V 88mA	DC12V 87mA / AC24V 77mA
Optical Fiber Maximum Transmission Distance	Single mode fiber	EX-SDI 1.0 : 20Km Full HD 1.5G : 20Km Full HD 3G: 20Km	
	Multi mode fiber	EX-SDI 1.0 : 3Km Full HD 1.5G : 1Km Full HD 3G : 700m	
Optical Fiber(Test fiber)		Multi mode fiber (MM50 / 125um OM3) Single mode fiber (SM G.657.B3)	
Transmission Method		SMPTE 259M, SMPTE 292M, SMPTE 424M	
Transmission Bandwidth		270Mbps ~ 3Gbps	
Optical Power Wavelength		at 1310 nm	
Output Optical Power		-2 ~ -5 dBm	-
Receiving Sensitivity		-	Below -15 dBm
Connection Port	HD-SDI In/Out	BNC-F (75Ω)	
	Optical In/Out	LC	
LED	HD-SDI(s)	Red	On : In(TX)
	Optical(S)	Red	On : In(RX)
	Power(s)	Red	On : Normal (TX, RX)
Temperature / Humidity		-20°C ~ +70°C / 0% ~90%	
Case Material / Weight		PC / 32g	
Dimension (mm)		MAIN : 73(W) x 23(H) x 20(D) POWER : 19.7(W) x 40(H) x 19.9(D)	

Dimension



NEW

[SC-HOT01S]
(Transmitter)



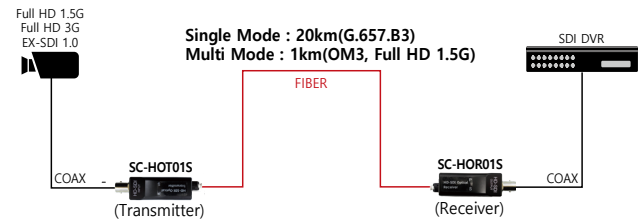
NEW

[SC-HOR01S]
(Receiver)

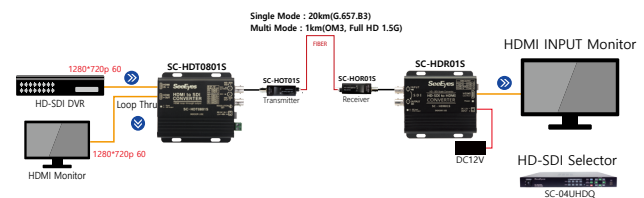


Application Diagram

Application 1 : SDI via fiber optic[SC-HOC01S] transmission



Application 2 : HDMI to HD-SDI transmission via fiber optic[SC-HOC01S]



Application 3 : HDMI to EX-SDI transmission via fiber optic[SC-HOC01S]

