

TNO-4030TR/4040TR/4041TR

VGA NW Thermal Radiometric Camera



TNO-4030TR / TNO-4040TR



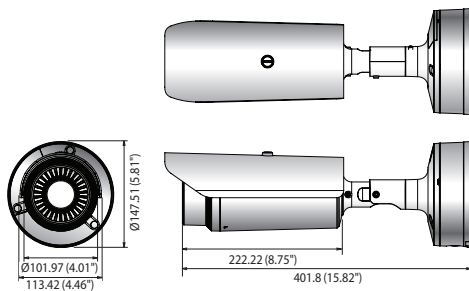
TNO-4041TR

Key Features

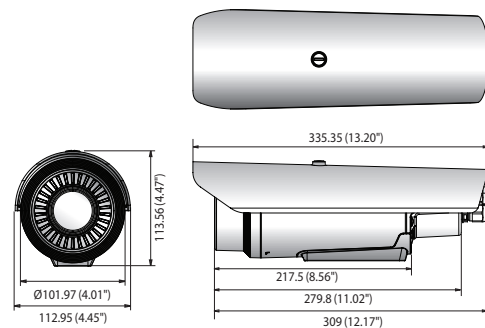
- Max. 640 x 480 resolution support
- Built-in 13/19mm fixed lens
- H.265, H.264, MJPEG codec
- Max. 30fps@all resolutions (H.265, H.264, MJPEG)
- Directional detection, Motion detection, Appear/Disappear, Enter/Exit, Loitering, Tampering, Virtual line, Audio detection, Sound classification
- Temperature detection, Shock detection
- Micro SD / SDHC / SDXC memory slot (Max. 256GB)
- Hallway View, WiseStreamII support
- PoE, 24VAC, 12VDC / IP66, NEMA4X, IK10

Dimensions

Unit : mm (inch)



TNO-4030TR / TNO-4040TR



TNO-4041TR

| | TNO-4030TR | TNO-4040TR | TNO-4041TR |
|-----------------------------|--|---|------------|
| VIDEO | | | |
| Imaging Device | Uncooled micro bolometer | | |
| Effective Pixels | None | | |
| NETD | < 50mK | | |
| Pixel Size | 17 μ m | | |
| Min. Illumination | None | | |
| Video Out | CVBS : 1.0Vp-p / 75 Ω composite, 720x480(N), 720x576(P) for installation USB : Micro USB Type B, 1280x720 for installation | CVBS : 1.0Vp-p / 75 Ω composite, 720x480(N), 720x576(P) for installation | |
| LENS | | | |
| Focal Length (Zoom Ratio) | 13mm fixed focal | 19mm fixed focal | |
| Max. Aperture Ratio | F1.0 | | |
| Angular Field of View | H : 48.6° / V : 36.4° / D : 61.6° | H : 32° / V : 24.3° / D : 39.2° | |
| Min. Object Distance | 5m (16.40ft) | 11m (36.09ft) | |
| Focus Control | Fixed | | |
| OPERATIONAL | | | |
| Camera Title | Displayed up to 85 characters | | |
| Digital Image Stabilization | Support (Built-in gyro sensor) | | |
| Motion Detection | 8ea, 8point polygonal zones | | |
| Privacy Masking | 32ea, polygonal zones - Color : Grey / Green / Red / Blue / Black / White - Mosaic | | |
| Video Rotation | Flip, Mirror, Hallway view (90°/270°) | Flip, Mirror | |
| Analytics | Directional detection, Motion detection, Appear/Disappear, Enter/Exit, Loitering, Tampering, Virtual line, Audio detection, Temperature detection, Sound classification, Shock detection | | |
| Serial Interface | - | RS-485 (Samsung-T, Pelco-D/P, Panasonic, Bosch, AD, GE, Vicon, Honeywell) | |
| Alarm I / O | Input 1ea / Output 2ea | | |
| Alarm Triggers | Analytics, Network disconnect, Alarm input | | |
| Alarm events | File upload via FTP and e-mail Notification via e-mail SD/SDHC/SDXC or NAS recording at event triggers Alarm output Handover | | |
| Audio In | Selectable (mic in/line in) Supply voltage : 2.5VDC (4mA), Input impedance : 2K Ohm | | |
| Audio out | Line out, Max.output level : 1Vrms | | |
| RADIOMETRY | | | |
| Temperature detect range | -20°C~130°C (-4°F~266°F) | | |
| Temperature accuracy | $\pm 5^{\circ}\text{C}$ ($\leq 100^{\circ}\text{C}$), $\pm 20\%$ (>100°C) | | |
| Temperature detection | 3ea rectangular | | |
| Additional | Hybrid palettes, Spot temperature reading | | |
| NETWORK | | | |
| Ethernet | RJ-45 (10/100BASE-T) | | |
| Video Compression | H.265/H.264: Main/Baseline/High, MJPEG | | |
| Resolution | 640 x 480, 640 x 360, 320 x 240 | | |
| Max. Framerate | H.265/H.264 : Max. 30fps/25fps (60Hz/50Hz) MJPEG : Max. 30fps/25fps (60Hz/50Hz) | | |
| Smart Codec | Manual (5ea area), WiseStream II | | |
| Video Quality Adjustment | H.264/H.265 : Target bitrate level control MJPEG : Target bitrate level control | | |
| Bitrate Control | H.264/H.265 : CBR or VBR MJPEG : VBR | | |

| | TNO-4030TR | TNO-4040TR | TNO-4041TR |
|--|--|------------|---|
| Streaming | Unicast (20 users) / Multicast Multiple streaming (Up to 10 profiles) | | |
| Audio Compression | G.711 u-law /G.726 Selectable G.726 (ADPCM) 8KHz, G.711 8KHz G.726 : 16Kbps, 24Kbps, 32Kbps, 40Kbps AAC-LC : 48Kbps at 16KHz | | |
| Protocol | IPv4, IPv6, TCP/IP, UDP/IP, RTP(UDP), RTP(TCP), RTCP, RTPSP, NTP, HTTP, HTTPS, SSL/TLS, DHCP, FTP, SMTP, ICMP, IGMP, SNMPv1/v2c/v3(MIB-2), ARP, DNS, DDNS, QoS, PIM-SM, UPnP, Bonjour | | |
| Security | HTTPS (SSL) login authentication Digest login authentication IP address filtering User access log 802.1X authentication (EAP-TLS, EAP-LEAP) | | |
| Edge Storage | Micro SD/SDHC/SDXC 1slot 256GB | | |
| Application Programming Interface | ONVIF Profile S/G/T SUNAPI (HTTP API) Wisenet open platform | | |
| Webpage Language | English, Korean, Chinese, French, Italian, Spanish, German, Japanese, Russian, Swedish, Portuguese, Czech, Polish, Turkish, Dutch, Hungarian, Greek | | |
| Web Viewer | Supported OS : Windows 7, 8.1, 10, Mac OS X 10.10, 10.11, 10.12 Recommended Browser : Google Chrome Supported Browser : MS Explorer11, MS Edge, Mozilla Firefox (Windows 64bit only), Apple Safari (Mac OS X only) | | |
| Memory | 1024MB RAM, 256MB Flash | | |
| ENVIRONMENTAL | | | |
| Operating Temperature / Humidity | -40°C ~ +60°C (-40°F ~ +140°F) / Less than 90% RH | | |
| Storage Temperature / Humidity | -50°C ~ +60°C (-58°F ~ +140°F) / Less than 90% RH | | |
| Certification | IP66, IK10, NEMA4X | | |
| ELECTRICAL | | | |
| Input Voltage | PoE (IEEE802.3af, Class3), 24VAC, 12VDC | | |
| Power Consumption | PoE : Max. 10W, typical 8.6W 12VDC : Max. 9W, typical 7.5W 24VAC : Max. 10.5W, typical 8.9W | | |
| MECHANICAL | | | |
| Color / Material | White / Aluminum | | |
| RAL Code | RAL9003 | | |
| Product dimensions / weight | Φ101.97x401.8mm (4.01x15.82") / 3,124g (6.89lb) | | Φ101.97x309mm (4.01x12.17") / 2,452g (5.41lb) |

* The latest product information / specification can be found at hanwha-security.com

* Design and specifications are subject to change without notice.

* Wisenet is the proprietary brand of **Hanwha Techwin**.