

NVX

STAINLESS STEEL FULL HD CAMERA WITH DELUX TECHNOLOGY



NVX

NVX



DESCRIPTION

NVX is an IP FULL HD super low-light camera with high corrosion resistance. This camera incorporates the DELUX imaging and encoding technology for recording incredibly clear colour video day or night.

In particular, thanks to the camera's increased light sensitivity, the DELUX technology can obtain bright images with well-defined colours in very low light conditions – even typical night-time conditions to 0.006 lux (0.0006 lux in black and white).

Videotec's NVX camera is super low-light Day/Night Full HD 1080p, with 30x optical zoom and 60 fps shooting speed. Images can be transmitted via network with H.264/AVC, MPEG4, MJPEG or JPEG compression, and it's possible to have up to 3 simultaneous and independent Full HD video streams.

The NVX external housing is made entirely from AISI316L stainless steel and has a compact and lightweight design that, along with the rapid connectors, helps installation and maintenance.

The wiper and the modular support for wall, ceiling or parapet mounting come standard.

NVX has exceptional corrosion resistance, a wide operational temperature range and IP66/IP67/IP68/IP69 protection. These features mean it is well suited to marine and industrial areas – such as the food industry – motorway tunnels and rail applications.

CERTIFICATIONS



MAIN FEATURES

In electro-polished stainless steel AISI 316L

Rapid connectors

Camera Full HD 1080p, 30x, 60fps

Minimum Illumination:

- Colour: 0.006lx

- B/W: 0.0006lx

Video compression H.264/AVC, MJPEG, JPEG and MPEG4

Complies with ONVIF, Profile S and Profile Q

Day/Night (Auto ICR: automatic removal of IR filter)

De-fog function

Up to 3 simultaneous video streams in FULL HD

1 input for remote reset and 2 relay outputs

Integrated wiper

Power supply: 24Vdc/24Vac, PoE+

Tested and certified: from -40°C (-40°F) up to +65°C (149°F)

Built-in modular support

Video analytics

TECHNICAL DATA

GENERAL

Simple installation thanks to rapid connectors
Quick configuration and setup

MECHANICAL

AISI 316L stainless steel construction
Unit weight:
4.9kg (10.8lb) (fastening support included)
4kg (8.8lb) (fastening support not included)

ELECTRICAL

Supply voltage/Current consumption (version without board for video analysis):

- 24Vac, 1.32A, 50/60Hz
- 24Vdc, 0.9A
- PoE+ (IEEE 802-at)

Power consumption (version without board for video analysis): 21W

Supply voltage/Current consumption (version with board for video analysis):

- 24Vac, 1.6A, 50/60Hz
- 24Vdc, 1.1A

Power consumption (version with board for video analysis): 25W

NETWORK

Ethernet connection: 100 Base-TX
Connector: RJ45

VIDEO

Video encoder

- Communication protocol: ONVIF, Profile S and Profile Q
- Device configuration: TCP/IPv4-IPv6, UDP/IPv4-IPv6, HTTP, HTTPS, NTP, DHCP, WS-DISCOVERY, DSCP, IGMP (Multicast), SOAP, DNS
- Streaming: RTSP, RTCP, RTP/IPv4, HTTP, Multicast
- Video compression: H.264/AVC, MJPEG, JPEG, MPEG4
- 3 independent video streams Full HD
- Image resolution: from 320x180pixel up to 1920x1080pixel in 6 steps
- Selectable frame rate from 1 to 60 images per second (fps)
- Web Server
- Motion Detection

I/O INTERFACE

I/O alarm board (version with wiper)

- Input for remote reset: 1
- Relay outputs: 1+1 (1 relay reserved for washer pump and one configurable, 1A, 30Vac/60Vdc max)

CAMERAS

Day/Night Full HD 30x

Resolution: Full HD 1080p (1920x1080pixel)

Image Device: 1/2.8" Exmor™ R CMOS sensor

Effective Pixels: approx. 2.38 Megapixels

Minimum Illumination:

- Colour: 0.006lx (F1.6, 30 IRE)
- B/W: 0.0006lx (F1.6, 30 IRE)

Focal length: from 4.5mm (wide) up to 135mm (tele)

Zoom: 30x (480x with digital zoom)

Iris: from F1.6 up to F9.6, 10 steps (Auto, Manual)

Horizontal Viewing Angle: from 61.6° (wide end) up to 2.50° (tele end)

Vertical Viewing Angle: from 37.07° (wide end) up to 1.44° (tele end)

Shutter speed: from 1/1s up to 1/10000s (Auto, Manual)

White balance: Auto, Manual

Gain: from 0dB up to 36dB (Auto, Manual)

Wide Dynamic Range: 120dB

Focus System: Auto, Manual, Trigger

Picture Effects: E-flip, Color enhancement

Noise removal: 2D, 3D

Exposure Control: Auto, Manual, Priority (Iris Priority, Shutter Priority), Brightness, Custom

De-fog: Yes (On/Off)

ENVIRONMENT

For installation indoors and outdoors

Operating temperature

- Continuous working: from -40°C (-40°F) up to +65°C (149°F)

Surge immunity: up to 1kV line to line, up to 2kV line to earth (Class 3)

Relative humidity: from 10% up to 95% (no condensation)

CERTIFICATIONS

Electrical safety (CE): EN60950-1, IEC60950-1, EN62368-1, IEC62368-1

Electromagnetic compatibility (CE): EN610000-6-4, EN50130-4, EN55032 (Class A), FCC Part 15 (Class A), ICES003

Outdoor installation (CE): EN60950-22, IEC60950-22

IP protection degree (EN60529): IP66, IP67, IP68 (2h30min, 2m (6.56ft)), IP69

UL certification: cULus Listed, TYPE 4X, TYPE 6P

EAC certification

Lloyd's Register Marine Type Approval

- Test Specification Number 1:2015 (ENV1, ENV2, ENV3, ENV5)

Compliance to railway application standard: EN50121-4 (only with 24Vac or 24Vdc power supply)

ACCESSORIES

NVXTUB	Dust protection frontal shield
NVXIRBKT	Mounting bracket for IRH illuminator
IRHXXHXA	GEKO IRH illuminator, High Power
IRHXXLXA	GEKO IRH illuminator, Low Power
WASPTOV5L5M00	Water tank 5l (1.3gal), pump with delivery up to 5m (16ft), IN 230Vac-24Vac-120Vac
WASPTOV23L5M00	Water tank 23l (6 gal), pump with delivery up to 5m (16ft), IN 230Vac-24Vac-120Vac
WASPTOV23L11M00	Water tank 23l (6 gal), pump with delivery up to 11m (36ft) with water floating, IN 230Vac-24Vac-120Vac
WASPT1V23L30M00	Water tank 23l (6 gal), pump with delivery up to 30m (98ft) with water floating, IN 230Vac
WASPT3V23L30M00	Water tank 23l (6 gal), pump with delivery up to 30m (98ft) with water floating, IN 120Vac

PACKAGE

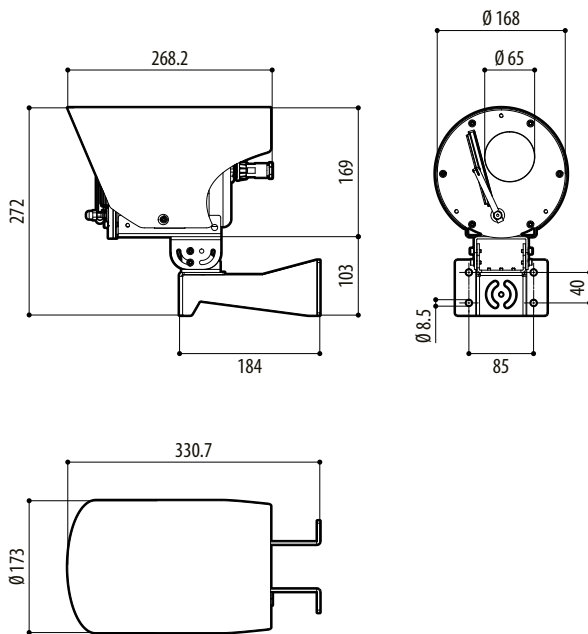
Model Number	Weight	Dimensions (WxHxL)	Master carton
NVX210XXXA	6.2kg (13.7lb)	36x35x23cm (14x14x9in)	-

NVX - CONFIGURATION OPTIONS

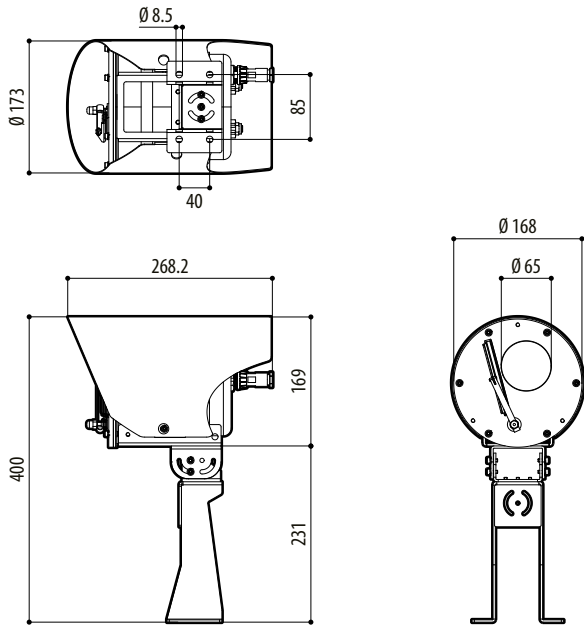
	Voltage	Camera	Versions	Connectors/Brackets	Accessories	
NVX	2 24Vac/24Vdc/PoE+	10 Day/Night camera, optical zoom 30x, 60fps	W With wiper	0	0	A
			S Without wiper	1 Without support	1 Video analytics	
			P Without wiper/Polycarbonate window			

TECHNICAL DRAWINGS

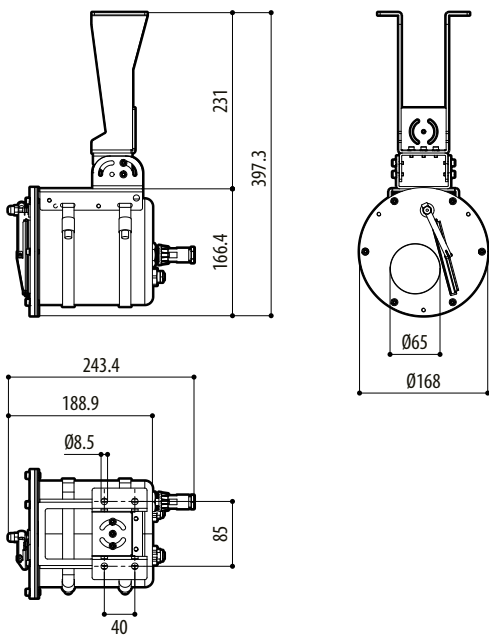
The indicated measurements are expressed in millimetres.



NVX, WALL MOUNTING



NVX, PARAPET MOUNTING



NVX, CEILING MOUNTING