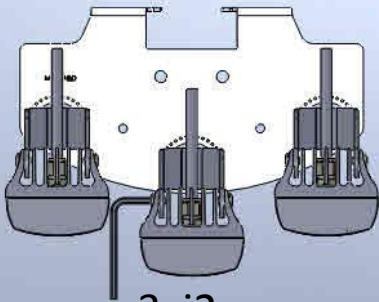


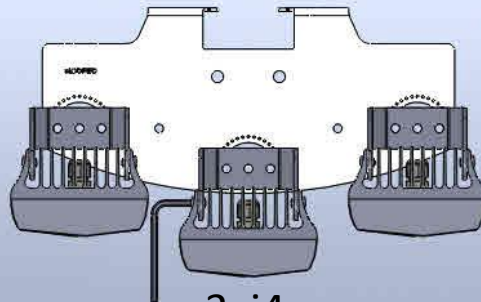
# VUB Plates i2-i8

## Small



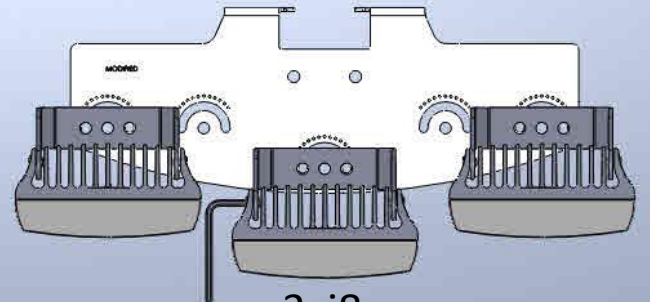
3xi2

## Medium



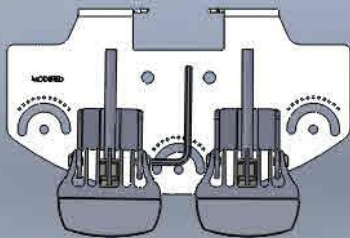
3xi4

## Large

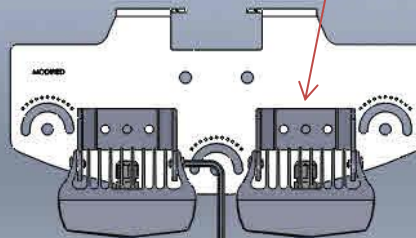


3xi8

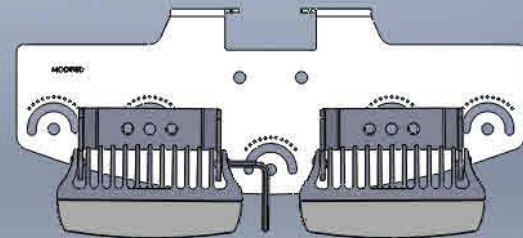
Note: Needs lock-off holes adding.



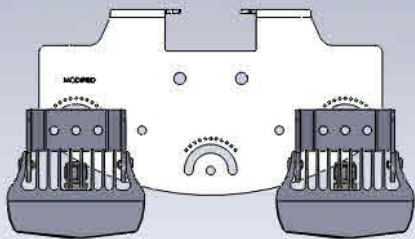
2xi2 inner mounts



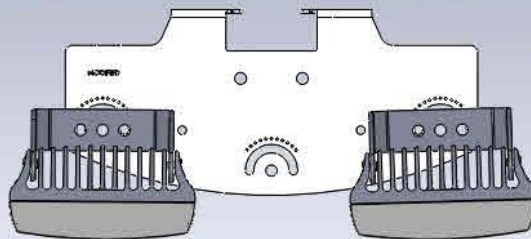
2xi4 inner mounts



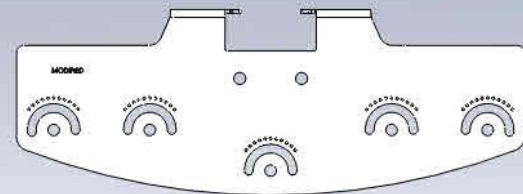
2xi8 inner mounts



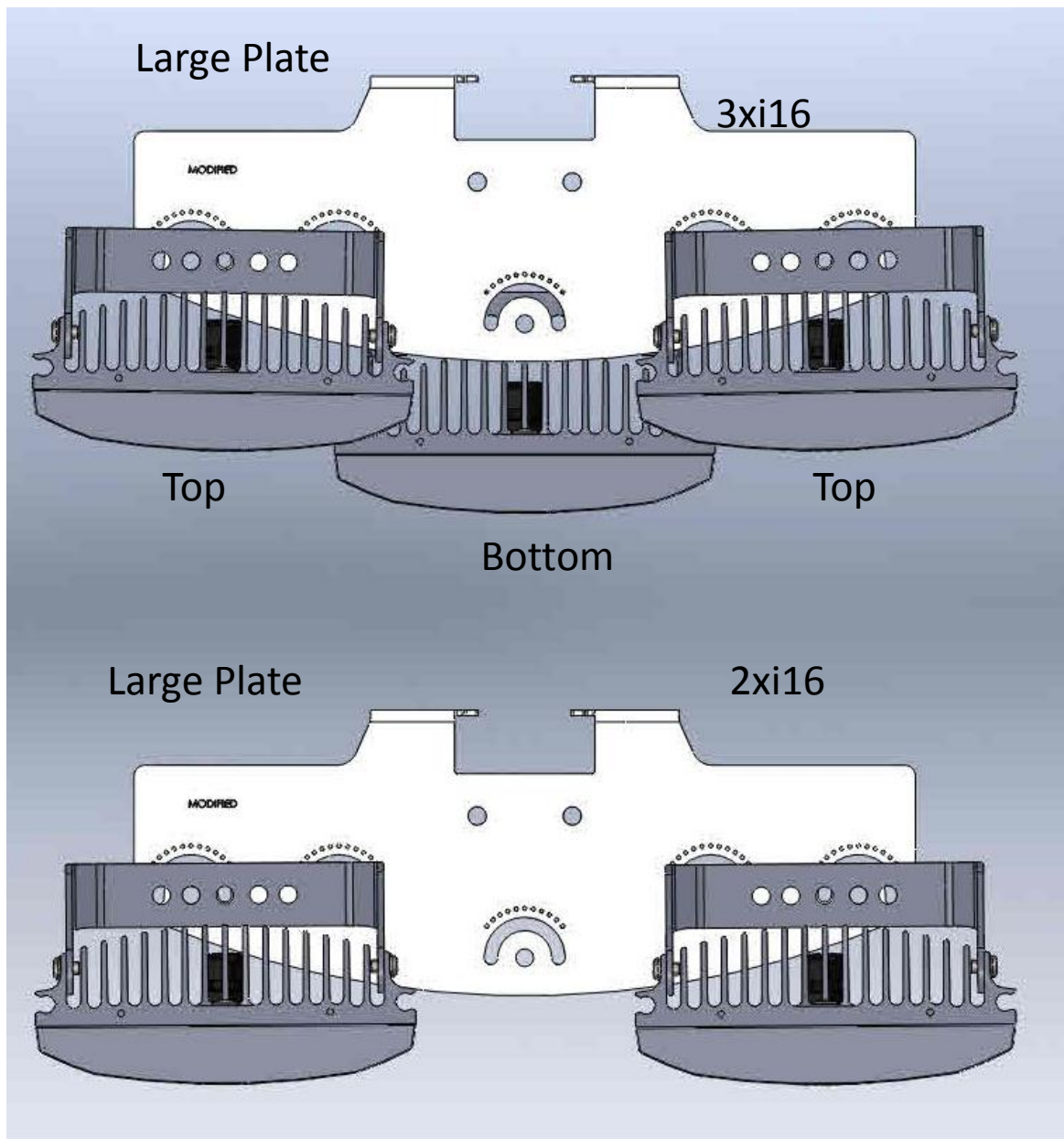
2xi4



2xi8



# I16 Mounting Options



# i16 Single Plate

