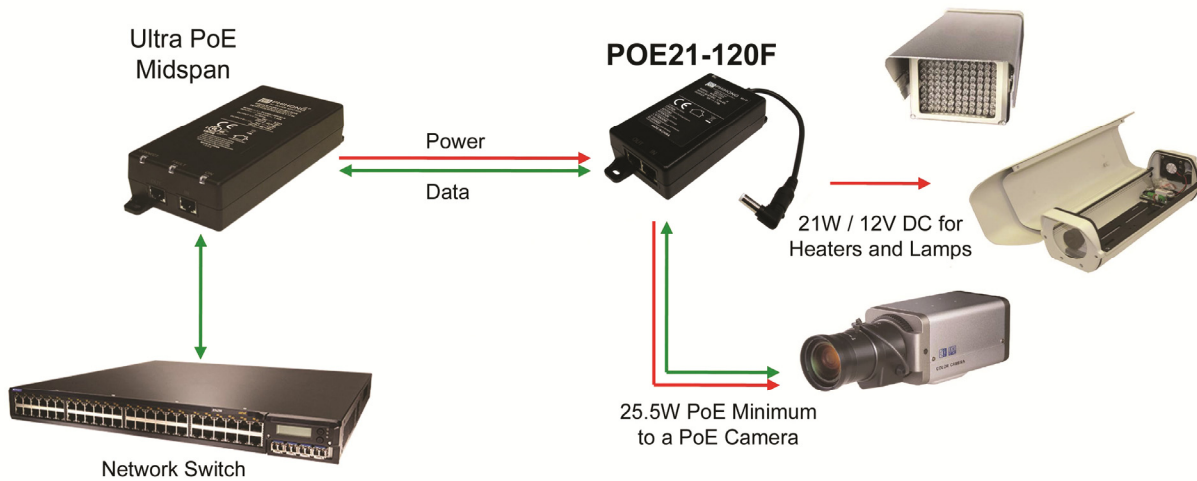




## DC-DC Power over Ethernet Splitter 30W and 12VDC for Heaters, Illuminators and POE Cameras



### Features

- IEEE802.3af Detection/Disconnection
- DC Good LED
- Non-Vented Case
- DC Power and PoE/Data Output
- Power IEEE802.3af Camera
- Full Protection OTP, OCP, OVP
- Gigabit Compatible
- 1 Year Warranty

### Applications

- IP Cameras Heaters and Illuminators
- Access Controls

### Safety Approvals

- CE

### Mechanical Characteristics

- Length: 100mm (3.937in)
- Width: 56mm (2.205in)
- Height: 28mm (1.098in)
- Weight: 0.142Kg (0.313lb)

### Output Specifications

Model	Output Power		PoE Load		DC Load	
	PoE	DC	Min	Max	Min	Max
POE21-120F*	25.5W at 42.5-57V DC	21W at 12V DC	15mA	600mA	0.0A	1.75A

\*Model will not operate without Ultra PoE Power Injector or better

Phihong is not responsible for any error, and reserves the right to make changes without notice. Please visit our website at [www.phihong.com](http://www.phihong.com) for the most up-to-date specifications and contact information.

**INPUT:**

Unit receives power from Pihong Ultra PoE Midspans using Cat 5e or Cat 6 wiring up to 100 meters per IEEE802.3. For information on Ultra PoE Midspans please go to [www.midspans.com](http://www.midspans.com)

**DC Input Current**

0.7A (DC) and 45VDC at maximum load

**DC Input Voltage Rating**

45 – 57VDC for 12V  
Pass through POE 42.5-7V

**DC OUTPUT:**

**Regulation**

Line and Load ±2%

**Ripple**

120mV maximum at 25°C on 12V

**Efficiency**

80% minimum at maximum load 48Vinput

**O/P Voltage Protection**

In case of output over voltage overload, crowbar will short. The output can be shorted permanently without damage.

**ENVIRONMENTAL:**

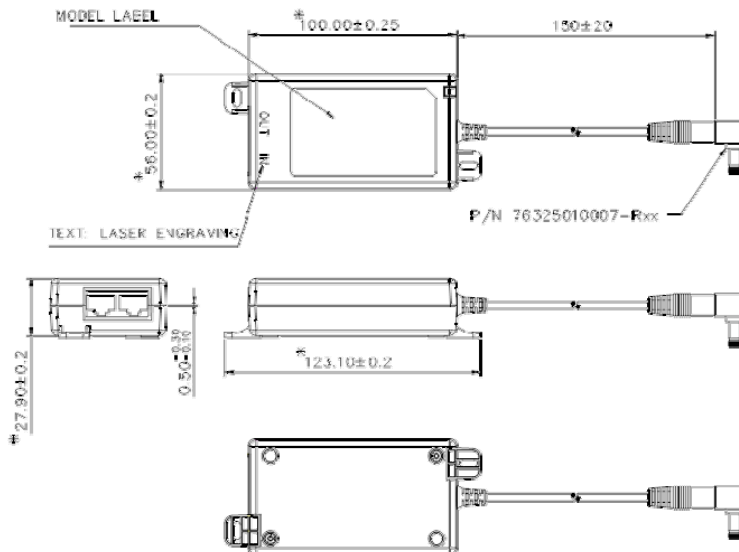
**Temperature**

Operation 0 to +40°C  
Non-operation -20 to +65°C

**Humidity**

Operation 5 to 90%

**Dimension Diagram Unit: mm**



**Immunity**

ESD: EN61000-4-2. Level 3  
RS: EN61000-4-3. Level 2

Note: RS and CS tested with POE60U

**EMC**

EN55022 Class A  
FCC Part 15, Class A

**Dielectric withstand (HI-POT) Test**

Primary to secondary: 2121VDC for 1 minute, 10mA

**Insulation Resistance**

Primary to Secondary: >10M Ohm 500V DC

**Indicators**

GREEN LED – Output power “ON”

**Cable**

Designed to operate up to 100 meters per IEEE 802.3, CAT 5e or CAT6

**Warranty**

1 Year

**Input and Output Data Connector**

RJ45

**Output Connector**

POE and data RJ45 Jack

**DC Output**

Center Positive Barrel 12mm x 2.1mm ID x 5.5mm OD  
Tip is user changeable for other sizes



